



MAX4899AE Evaluation Kit

General Description

The MAX4899AE evaluation kit (EV kit) provides a proven design to evaluate the MAX4899AE USB 2.0 high-speed, fault-tolerant 4:1 multiplexer. The EV kit routes a single USB signal to one of the four type-A USB ports.

The MAX4899AE EV kit printed-circuit board (PCB) comes with a MAX4899AEETE+ installed. Contact the factory for free samples of the pin-compatible MAX4899EETE+.

Features

- ◆ USB Powered (Cable Included)
- ◆ Complete USB 2.0 (480Mbps) Switching Circuit
- ◆ Eye Diagram Test Circuit with SMA Input/Output
- ◆ Lead-Free and RoHS-Compliant
- ◆ Proven PCB Layout
- ◆ Fully Assembled and Tested

Ordering Information

PART	TYPE
MAX4899AEVKIT+	EV Kit

+Denotes lead-free and RoHS-compliant.

Component List

DESIGNATION	QTY	DESCRIPTION
C1, C2, C3, C5, C7	5	0.1 μ F \pm 10%, 16V X7R ceramic capacitors (0603) TDK C1608X7R1C104K
C4, C6, C8	3	10 μ F \pm 10%, 16V X5R ceramic capacitors (0805) Murata GRM21BR61C106K
C9	1	1 μ F \pm 10%, 16V X5R ceramic capacitor (0603) Murata GRM188R61C105K
D1	1	Green LED (0603)
FB1	1	Ferrite bead (0603) TDK MMZ1608R301A
IN+, IN-, OUT+, OUT-	4	Edge-mount receptacle SMA connectors
JU1-JU5	5	3-pin headers
L1-L4	4	15nH inductors (0603) Murata LQW18AN15NG00

DESIGNATION	QTY	DESCRIPTION
P1	1	USB series-B right-angle PC-mount receptacle
P2-P5	4	USB series-A right-angle PC-mount receptacles
R1	1	270 Ω \pm 5% resistor (0603)
U1, U2	2	USB 2.0 multiplexer (16-pin TQFN-EP*) Maxim MAX4899AEETE+
U3	1	LDO linear regulator (5-pin SC70) Maxim MAX8511EXK33+T (Top Mark: AEI)
—	5	Shunts
—	1	USB high-speed A-to-B cable, 6ft
—	1	PCB: MAX4899AE Evaluation Kit+

*EP = Exposed paddle.

Component Suppliers

SUPPLIER	PHONE	WEBSITE
Murata Mfg. Co., Ltd.	770-436-1300	www.murata.com
TDK Corp.	847-803-6100	www.component.tdk.com

Note: Indicate that you are using the MAX4899AE or the MAX4899E when contacting these component suppliers.



MAX4899AE Evaluation Kit

Quick Start—Application Circuit

Recommended Equipment

Before beginning, the following equipment is needed:

- MAX4899AE EV kit (USB cable included)
- A user-supplied Windows 2000/XP/Vista®-compatible PC with a spare USB port
- One USB 2.0 signal source (i.e., USB 2.0 flash drive)

Note: In the following sections, text in **bold and underlined** refers to items from the Windows operating system.

Procedure

The MAX4899AE EV kit is fully assembled and tested. Follow the steps below to verify board operation:

- 1) Verify that all jumpers (JU1–JU5) are in their default position, as shown in Table 1.
- 2) Connect the USB cable from the PC to P1 of the EV kit.
- 3) Connect the USB 2.0 signal source to P2.
- 4) Go to the Windows **System Properties** window (Windows logo key + Pause Break key from keyboard) to locate and open the **Device Manager**. Under the **Ports (COM & LPT)** subject directory, verify that the USB 2.0 signal source is recognized through the COM port.

Quick Start—Test Circuit

Required Equipment

Before beginning, the following equipment is needed:

- MAX4899AE EV kit
- 3.3V DC power supply
- Pulse generator with minimum frequency of 1GHz (i.e., HP8133A)
- Communication signal analyzer with minimum frequency of 1GHz (i.e., Tektronix CSA8000)
- Five SMA cables of equal lengths

Procedure

The MAX4899AE EV kit is fully assembled and tested. Follow the steps below to verify board operation.

Caution: Do not turn on the power until all connections are complete.

- 1) Connect the 3.3V power supply to the VCC1 and GND1 pads of the EV kit.
- 2) Set the pulse generator to a frequency of 240MHz and the trigger amplitude to 400mV with 0V offset.
- 3) Select the PRBS (pseudorandom binary (bit) sequence) mode on the pulse generator.

Windows Vista is a registered trademark of Microsoft Corp.

- 4) Use a pair of SMA cables to connect the differential signals of the pulse generator (DATA and $\overline{\text{DATA}}$) to IN+ and IN- of the EV kit.
- 5) Use a single SMA cable to connect the trigger input of the communication signal analyzer to the trigger output of the pulse generator.
- 6) Use the other pair of SMA cables to connect the two channels of the communication signal analyzer to OUT+ and OUT- of the EV kit.
- 7) Set the communication signal analyzer to infinite persistence and select the math function of the signal ((OUT+) - (OUT-)).
- 8) Adjust the vertical scale to 100mV/div and horizontal scale to 500ps/div on the communication signal analyzer.
- 9) Turn on the DC power supply.
- 10) Enable the trigger on the pulse generator and observe the diagram on the communication signal analyzer.

Detailed Description

The MAX4899AE EV kit provides a proven layout for the MAX4899AE. The kit contains two electrically separate sub circuits: a typical 4:1 USB 2.0 analog switch application circuit and an eye diagram test circuit.

Application Circuit

The application circuit is located at the top of the board. JU2 is used to enable the switching of the USB channels and JU1 is used to enable the charge pump. The user can switch to one of the four USB inputs by moving jumpers JU3 and JU4 (see Table 2). The EV kit is powered from the USB port (P1) and provides an on-board-regulated 3.3V supply to power the MAX4899AE IC. All signal traces in the USB application circuit are 90Ω differential controlled-impedance traces.

Test Diagram Circuit

A separate test circuit is also provided at the bottom of the MAX4899AE EV kit for timing critical tests such as eye diagrams.

User-Supplied Power Supply

The MAX4899AE EV kit is powered completely from the USB port by default. Move the shunt of JU5 to the 2-3 position and apply a 2.7V to 3.6V power supply at the VCC and GND pads.

The test circuit at the bottom of the board is powered by applying 2.7V to 3.6V at the VCC1 and GND1 pads.

MAX4899AE Evaluation Kit

Evaluates: MAX4899AE/MAX4899E

Table 1. MAX4899AE EV Kit Jumper Descriptions (JU1–JU5)

JUMPER	SHUNT POSITION	DESCRIPTION
JU1	1-2*	\overline{QP} connected to ground (enabled charge pump for normal operation)
	2-3	\overline{QP} connected to V+ (the charge pump is disabled with the switches still active at a reduced analog logic range and higher R_{ON})
JU2	1-2*	\overline{EN} connected to ground (enabled channels for normal operation)
	2-3	\overline{EN} connected to V+ (all channels are off and in high-impedance state; the internal charge pump is disabled when \overline{EN} is a logic-high)
JU3	1-2*	C1 connected to ground (see Table 2)
	2-3	C1 connected to V+ (see Table 2)
JU4	1-2*	C0 connected to ground (see Table 2)
	2-3	C0 connected to V+ (see Table 2)
JU5	1-2*	Connected to USB supply (+3.3V)
	2-3	Connected to user-supplied 2.7V to 3.6V power supply to VCC and GND pads

*Default position.

Table 2. MAX4899AE EV Kit USB Switching Description

USB PORT	C1 (JU3 SHUNT POSITION)	C0 (JU4 SHUNT POSITION)	FUNCTION
P2	1-2	1-2	COMA+ and COMA- connected to USB0+ and USB0-
P3	1-2	2-3	COMA+ and COMA- connected to USB1+ and USB1-
P4	2-3	1-2	COMA+ and COMA- connected to USB2+ and USB2-
P5	2-3	2-3	COMA+ and COMA- connected to USB3+ and USB3-

MAX4899AE Evaluation Kit

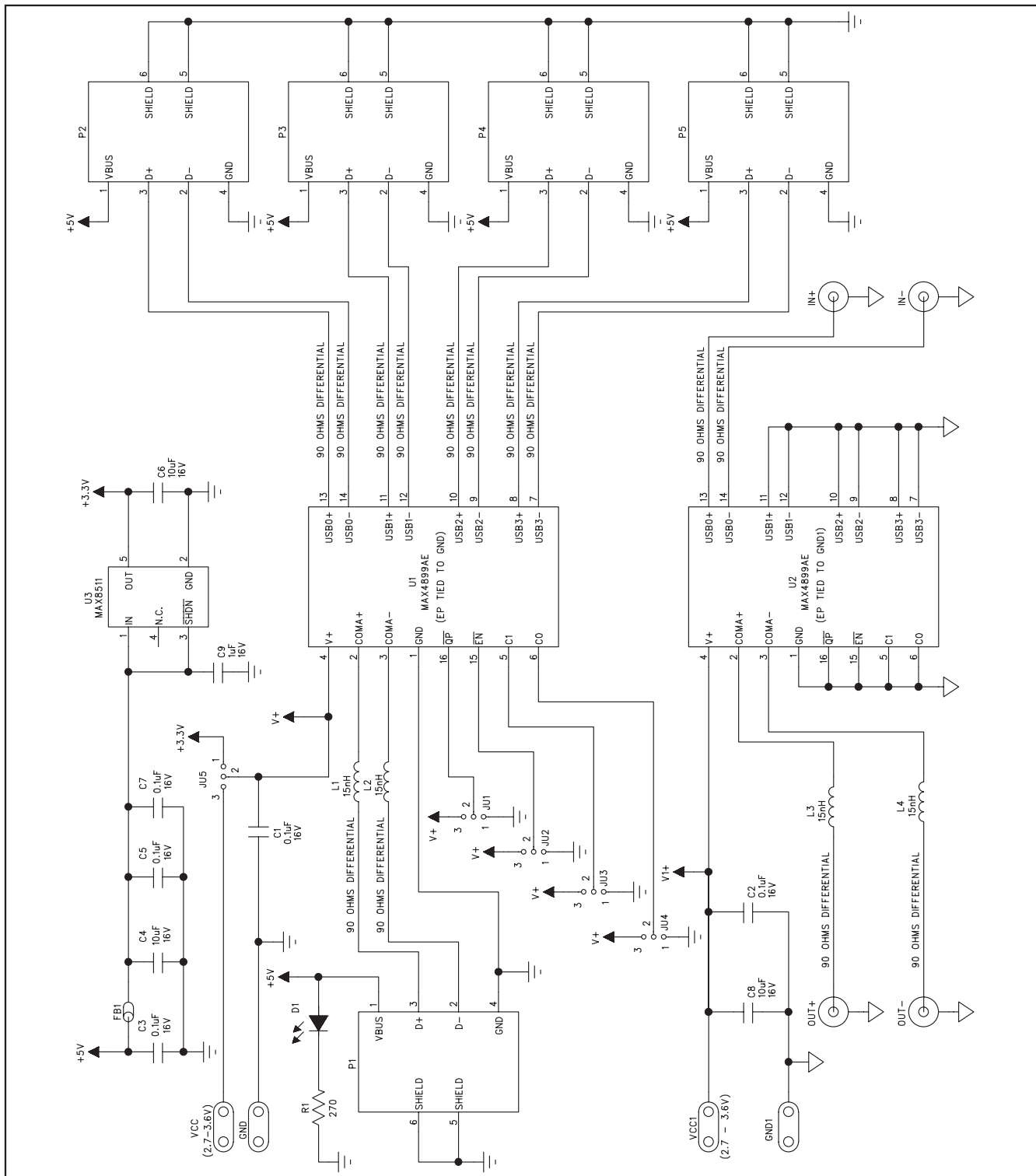


Figure 1. MAX4899AE EV Kit Schematic

MAX4899AE Evaluation Kit

Evaluates: MAX4899AE/MAX4899E

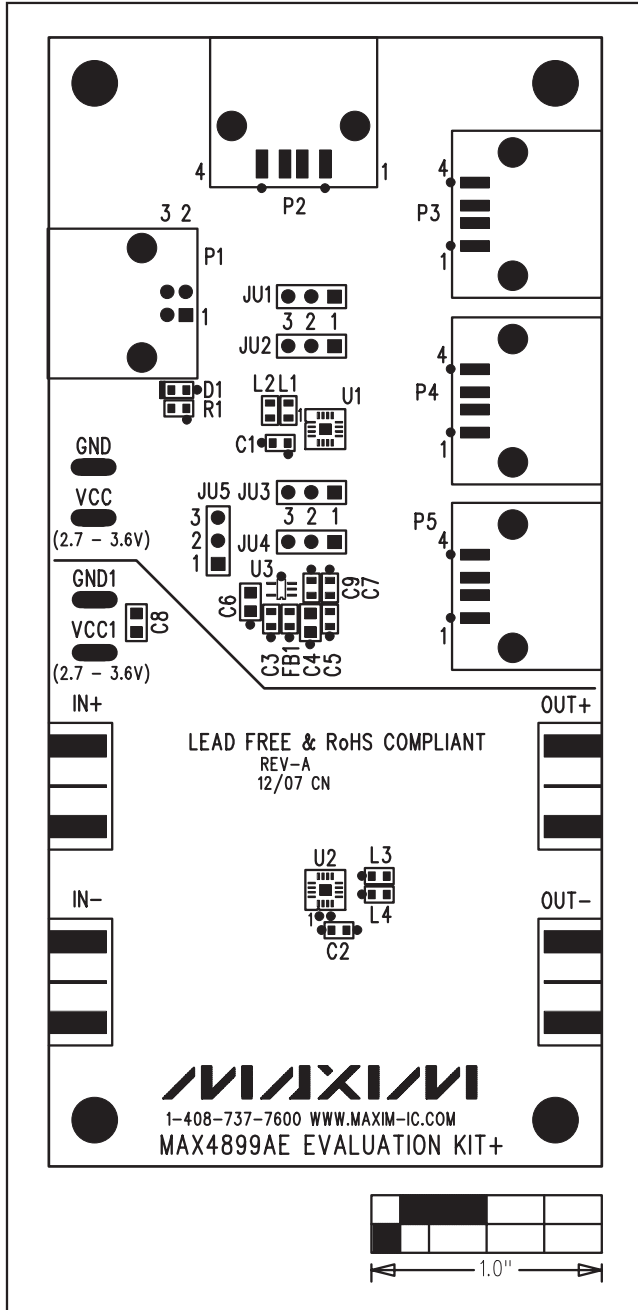


Figure 2. MAX4899AE EV Kit Component Placement Guide—Component Side

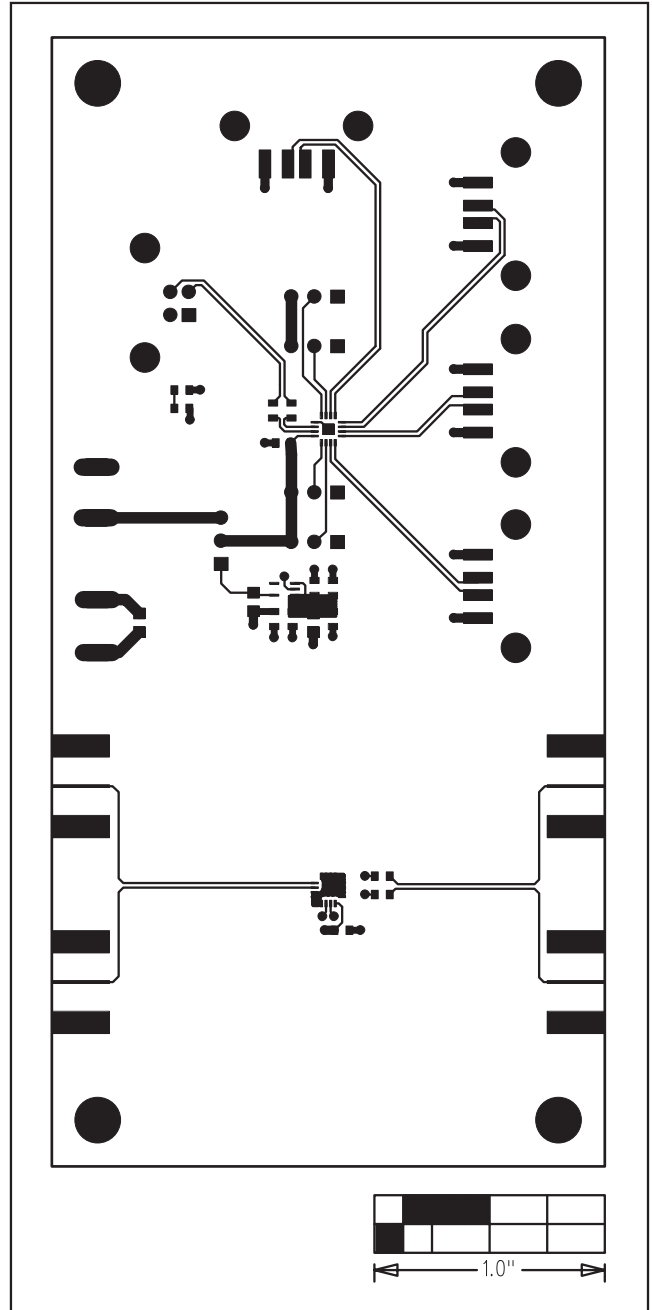
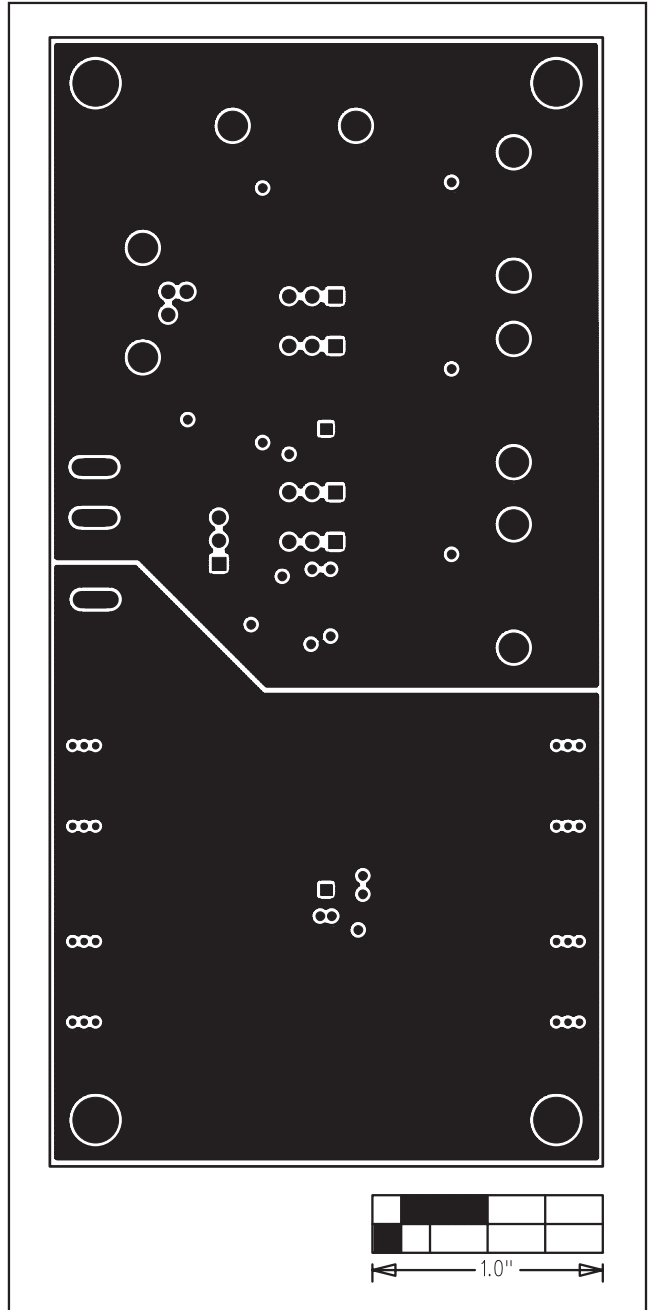
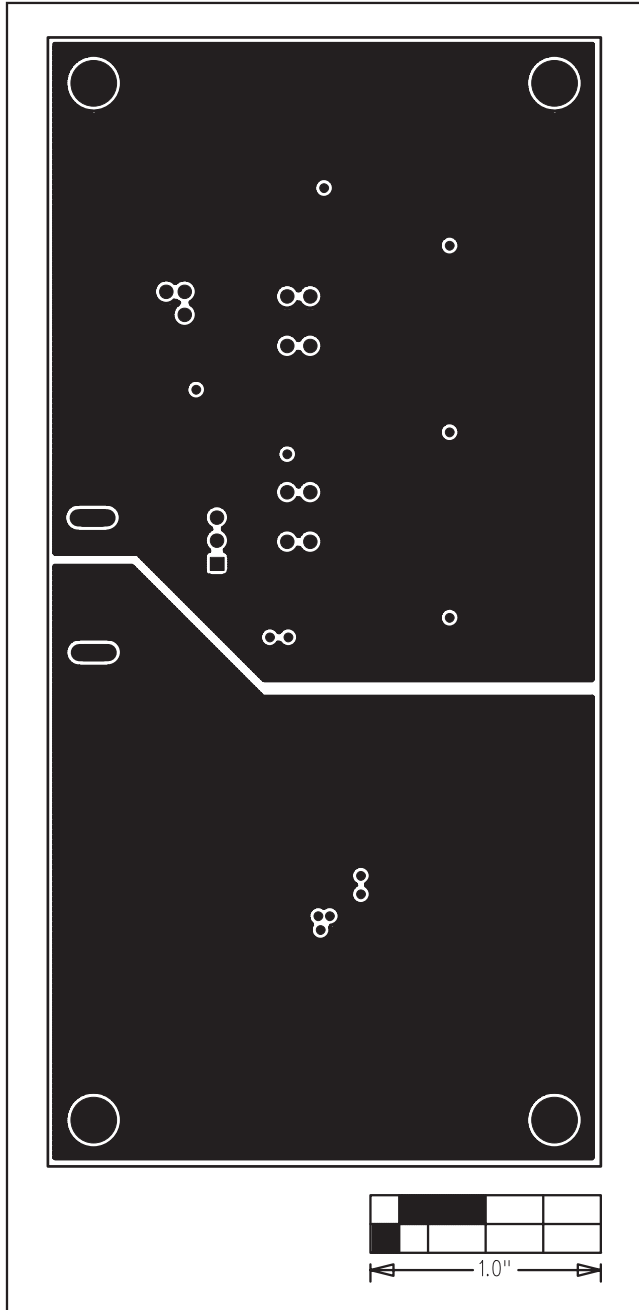


Figure 3. MAX4899AE EV Kit Component PCB Layout—Component Side

MAX4899AE Evaluation Kit

Evaluates: MAX4899AE/MAX4899E



MAX4899AE Evaluation Kit

Evaluates: MAX4899AE/MAX4899E

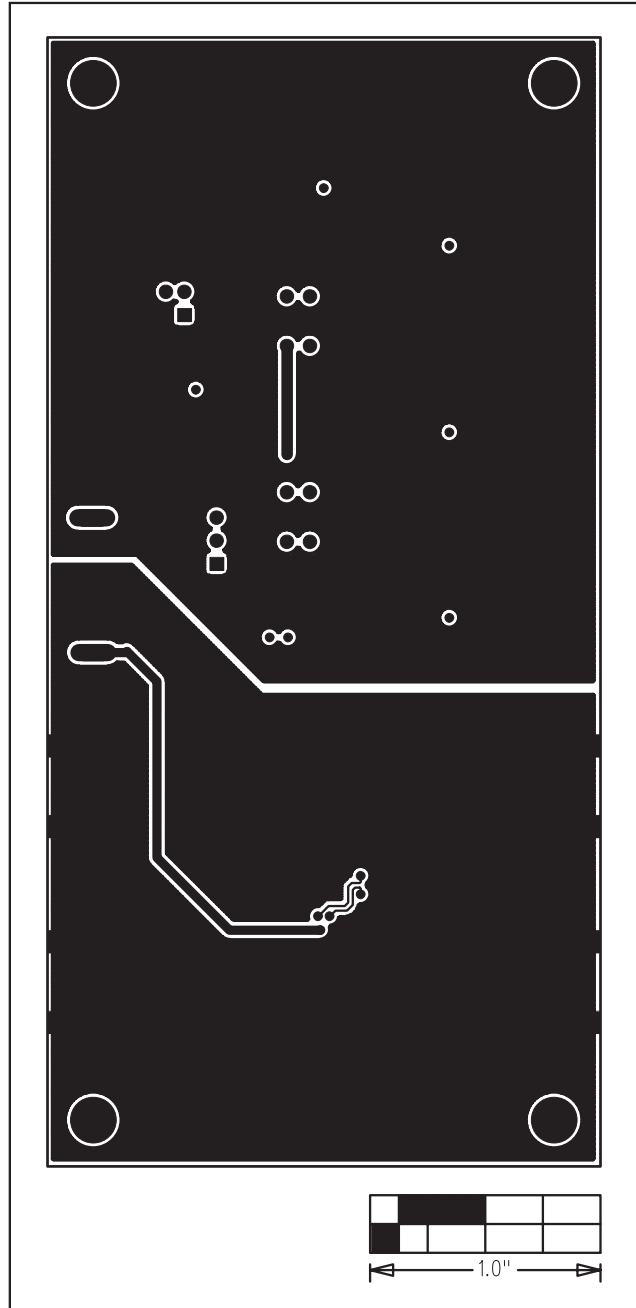


Figure 6. MAX4899AE EV Kit PCB Layout—Solder Side

Maxim cannot assume responsibility for use of any circuitry other than circuitry entirely embodied in a Maxim product. No circuit patent licenses are implied. Maxim reserves the right to change the circuitry and specifications without notice at any time.

Maxim Integrated Products, 120 San Gabriel Drive, Sunnyvale, CA 94086 408-737-7600 _____ 7