



MAX3886 Evaluation Kit

General Description

The MAX3886 evaluation kit (EV kit) is a fully assembled and tested demonstration board that simplifies evaluation of the MAX3886 BPON/GPON CDR with serializer/deserializer. The EV kit operates from a single +3.3V supply and includes the external components necessary for testing all the MAX3886 functions.

Features

- ◆ Fully Assembled and Tested
- ◆ Single +3.3V Power-Supply Operation
- ◆ SMA and SMB Connectors for High-Speed I/Os
- ◆ Includes 19.4400MHz SMD Crystal Reference

Ordering Information

PART	TYPE
MAX3886EVKIT+	EV Kit

+ Denotes a lead-free/RoHS-compliant kit.

Component List

DESIGNATION	QTY	DESCRIPTION
C1	1	33 μ F \pm 5% tantalum capacitor (B case) AVX TAJB336K010R
C2–C6, C9, C43, C44	8	0.1 μ F \pm 10% ceramic capacitors (0402) Murata GRM155R61A104K
C7	1	2.2 μ F \pm 10% ceramic capacitor (0805) Murata GRM21BR71A225K
C8	1	0.1 μ F \pm 10% ceramic capacitor (0603) Murata GRM188R71E104K
C11, C12, C13, C23, C28, C32–C36, C47, C48	12	0.22 μ F \pm 10% ceramic capacitors (0402) Murata GRM155R60J224K
C27	1	0.27 μ F \pm 5% ceramic capacitor (0603) Panasonic ECJ-1VB0J274K
C63	1	10pF \pm 10% ceramic capacitor (0603) Murata GRM1885C1H100J
J1, J2, J3, J9–J12, J14, J15, J19, J20, J22–J30, J33–J36	24	SMB connectors, PC mount Johnson 131-1701-201

DESIGNATION	QTY	DESCRIPTION
J5–J8, J21, J37, J38	7	SMA connectors, edge-mount, tab center Johnson 142-0701-851
JU1–JU4	4	1 x 3-pin headers (0.1in centers) Sullins PEC36SAAN
R1–R4, R7, R12, R13, R49, R55, R56, R69–R76	18	0 Ω \pm 5% resistors (0402)
R8	1	100 Ω \pm 1% resistor (0402)
R61	0	Not installed
R66	1	49.9 Ω \pm 1% resistor (0603)
TP1–TP6, J16, J17	8	Test points Keystone 5000
U1	1	Multirate CDR with integrated serializer/deserializer (56-pin TQFN) Maxim MAX3886ETN+
X2	1	19.4400MHz SMD crystal, 18pF Citizen CS20-19.440MABJTR
None	4	Shunts for JU1–JU4 Sullins SSC02SYAN
None	1	PCB: MAX3886 EV Kit+ Circuit Board, Rev A

Evaluates: MAX3886

MAX3886 Evaluation Kit

Quick Start

- 1) Install shunts on the VCC side of jumpers MSYM (JU3) and MVCO (JU4). This configures the MAX3886 for symmetric 2.48832Gbps upstream and downstream serial data.
- 2) Install a shunt on the VCC side of jumper FRST (JU1) to hold the serializer FIFO in reset.
- 3) Install a shunt on the GND side of jumper MDDR (JU2). This sets the parallel clock output (PCKO) for full-rate operation (622.08MHz).
- 4) Connect a +3.3V power supply to the VCC and GND terminals (J16, J17). Set the supply current limit to 400mA. Monitor the supply voltage at test points TP1 and TP2.
- 5) Apply a continuous 2.48832Gbps PRBS differential data signal to the SDI inputs (J37, J38). Set the differential swing between 200mV_{P-P} and 1600mV_{P-P} (100mV_{P-P} and 800mV_{P-P} single-ended).
- 6) Verify the LOCK output (TP4) is high.
- 7) Using 50Ω SMB cables, connect the parallel clock outputs (PCKO and RCKO) and parallel data outputs (PDO[3:0]) to 50Ω terminated test equipment (high-speed scope, error detector).
- 8) After verifying the parallel outputs, connect PCKO to PCKI and PDO[3:0] to PDI[3:0] for a parallel loopback configuration. All cables must be equal electrical length to ensure that setup and hold timing requirements are satisfied.
- 9) Move the shunt to the GND side of jumper FRST (JU1) to take the FIFO out of reset. Verify the FERR output (TP3) is low.
- 10) Attach DC blocks to the SDO outputs (J5, J6) and connect to 50Ω terminated test equipment (high-speed scope, error detector).
- 11) Apply a DC-balanced differential signal, such as a repeating 155.52Mbps 0101 pattern, to the BENI inputs (J3, J14). The signal must be synchronous to the serial data pattern generator and transitions must be aligned with the falling edge of the parallel input clock to ensure setup and hold timing requirements are satisfied. Set the differential swing to 600mV_{P-P} (300mV_{P-P} single-ended) with a 1.2V common-mode voltage.
- 12) Attach DC blocks to the BENO outputs (J7, J8) and connect to a 50Ω terminated high-speed scope.

Detailed Description

The MAX3886 EV kit simplifies evaluation of the MAX3886. It operates from a +3.3V single supply and includes SMA and SMB connectors for access to the high-speed I/O signals. An on-board 19.4400MHz SMD crystal serves as the CDR reference. Jumpers are used to select the operational modes and reset the FIFO. Test points provide easy monitoring of the supply voltage, FERR output, and LOCK output. See Tables 1 and 2.

Interface to Serial Data Inputs (SDI+/-)

The serial data inputs are AC-coupled and have a 100Ω differential termination. They can be directly connected to a pattern generator. Differential input swings should be set between 200mV_{P-P} and 1600mV_{P-P} (100mV_{P-P} and 800mV_{P-P} single-ended).

Interface to LVDS Outputs (PCKO, PDO[3:0], RCKO)

The LVDS outputs are AC-coupled and can be connected to 50Ω terminated test equipment (high-speed scope, error detector). The LVDS outputs can also be connected to the LVDS inputs, which have internal 100Ω differential terminations.

Interface to LVDS Inputs (PCKI, PDI[3:0], BENI)

The LVDS inputs are DC-coupled and must be driven with a differential swing and common-mode voltage as specified in the MAX3886 data sheet. Typical LVDS signals are 600mV_{P-P} differential (300mV_{P-P} single-ended) with a 1.2V common-mode voltage. All signals applied to the LVDS inputs must be synchronous to the downstream data due to the internal loop timing of the serializer. Parallel data and burst-enable transitions must be aligned with the falling edge of the parallel input clock to ensure setup and hold timing requirements are satisfied.

Interface to CML Outputs (SDO, BENO)

The CML outputs are DC-coupled to permit transfer of signals that may not be DC balanced, such as burst signals, to a burst-mode laser driver (see Figure 1). DC blocks are required to connect the CML outputs to 50Ω terminated test equipment (high-speed scope, error detector). External DC blocks can be used, or the on-board series resistors R1–R4 can be replaced with capacitors ($\geq 0.1\mu\text{F}$ recommended). While using DC-blocks, the upstream data must be continuous, and the burst-enable signal must be a high-frequency DC-balanced signal, such as a repeating 155Mbps 0101 pattern (see Figure 2).

MAX3886 Evaluation Kit

Evaluates: MAX3886

FIFO Reset

The FIFO must be reset after each power-up when the read and write clocks have stabilized. A reset is also required if the parallel input clock is interrupted between bursts. If the FIFO reset input (FRST) or the FIFO error output (FERR) are high, the burst-enable output (BENO) is forced low.

External Reference Clock

To use the EV kit with an external reference clock, disconnect the on-board crystal from the MAX3886 by

removing resistors R12 and R13, and install a 0Ω resistor at R61. Connect the clock source to the REFCK1 input (J21), and set the frequency to 19.4400MHz and the swing to 3.3V_{P-P}. The EV kit includes a 50Ω termination (R66) to ground and a 10pF series capacitor (C63).

Parallel Loopback

Connect PCKO to PCKI and PDO[3:0] to PDI[3:0] for a parallel loopback configuration (see Figure 3). All cables must be equal electrical length to ensure setup and hold timing requirements are satisfied.

Table 1. Clock and Data Rate Controls

MVCO (JU4)	MSYM (JU3)	MDDR (JU2)	Rx			Tx			
			SDI RATE (Mbps)	PDO RATE (Mbps)	PCKO (MHz)	SDO RATE (Mbps)	PDI RATE (Mbps)	PCKI (MHz)	RCKO (MHz)
GND	GND	GND	622	155	155	155	39	39	39
GND	GND	VCC	622	155	78	155	39	39	39
GND	VCC	GND	622	155	155	622	155	155	155
GND	VCC	VCC	622	155	78	622	155	155	155
Open	GND	GND	1244	311	311	622	155	155	155
Open	GND	VCC	1244	311	155	622	155	155	155
Open	VCC	GND	1244	311	311	1244	311	311	311
Open	VCC	VCC	1244	311	155	1244	311	311	311
VCC	GND	GND	2488	622	622	1244	311	311	311
VCC	GND	VCC	2488	622	311	1244	311	311	311
VCC	VCC	GND	2488	622	622	2488	622	622	622
VCC	VCC	VCC	2488	622	311	2488	622	622	622

Table 2. Jumper and Test Point Descriptions (see Quick Start first)

COMPONENT	NAME	FUNCTION
JU1	FRST	Jumper to reset the FIFO. Connect high (VCC) to reset the FIFO. Connect low (GND) during normal operation. If FRST or FERR (TP3) is high, BENO is forced low.
JU2	MDDR	Jumper to select dual data rate parallel clock output. See Table 1.
JU3	MSYM	Jumper to select symmetric or asymmetric operation. See Table 1.
JU4	MVCO	Jumper to select VCO rate. See Table 1.
TP1, TP2	VCC, GND	Test points for monitoring the supply voltage.
TP3	FERR	Test point for monitoring the FIFO error output. A high output indicates when the FIFO read and write clocks attempt to access the same register. The FIFO error flag is cleared using the FRST input (JU1). If FRST or FERR is high, BENO is forced low.
TP4	LOCK	Test point for monitoring the LOCK output. A high output indicates that the PLL is in lock.

MAX3886 Evaluation Kit

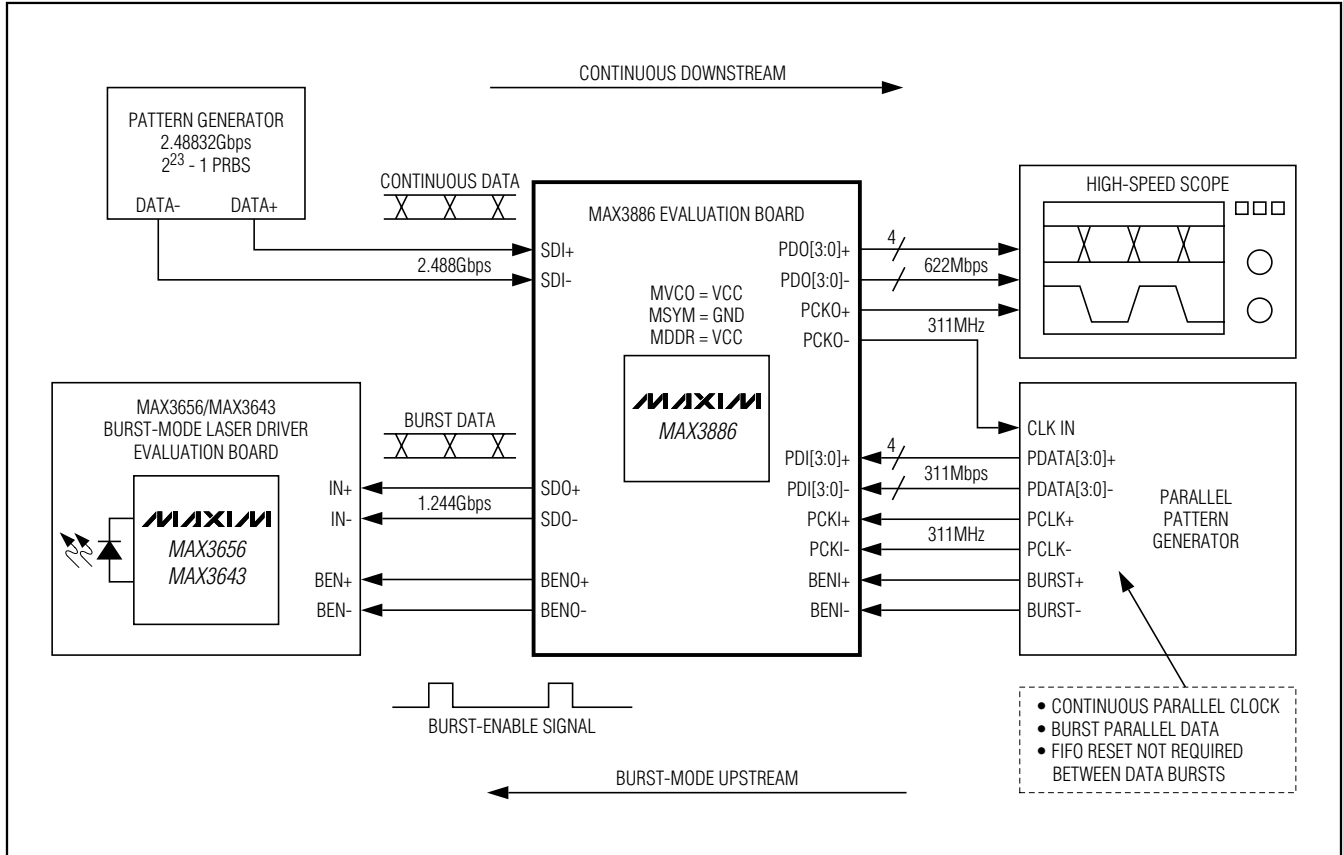


Figure 1. Evaluating MAX3886 with Burst-Mode Transmitter

MAX3886 Evaluation Kit

Evaluates: MAX3886

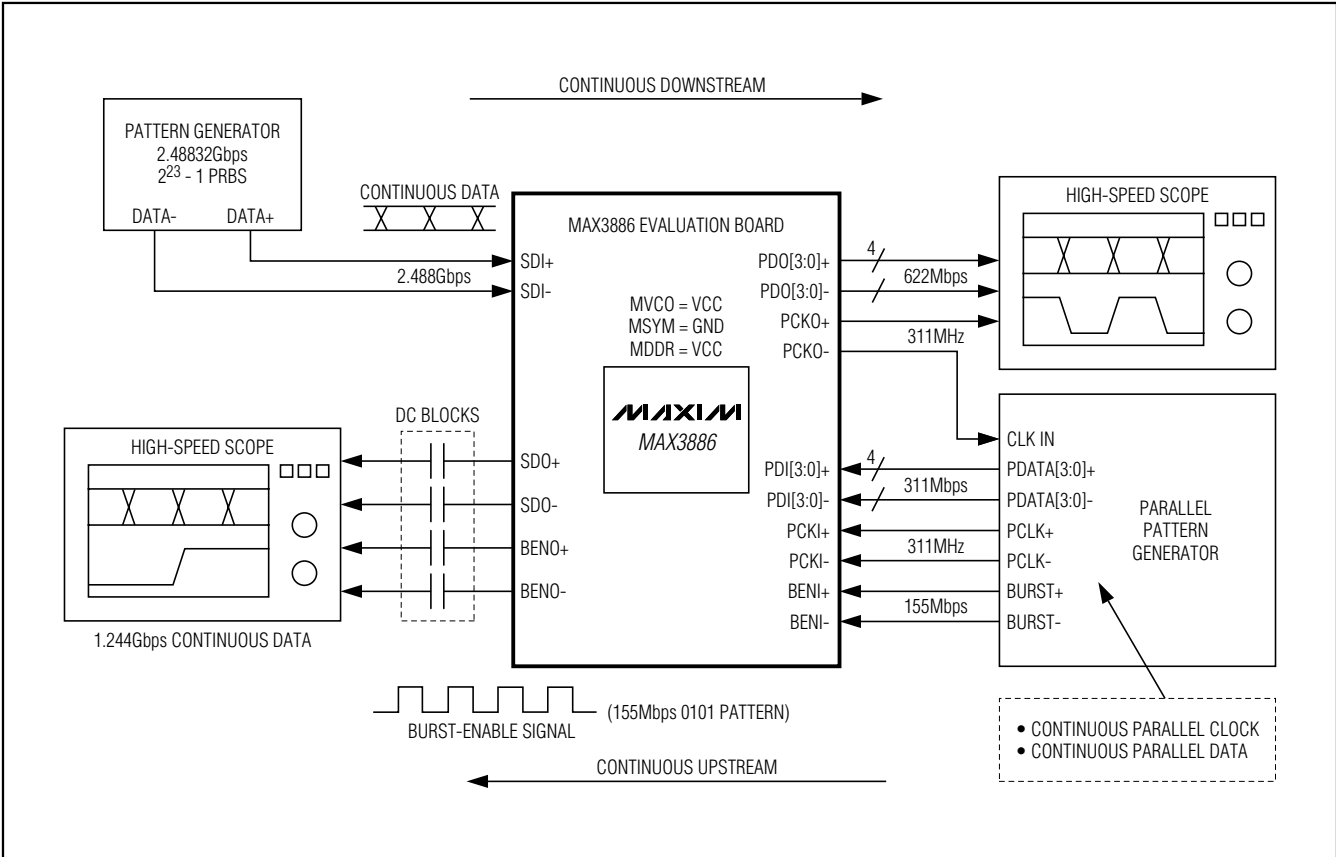


Figure 2. Evaluating MAX3886 with High-Speed Scope

MAX3886 Evaluation Kit

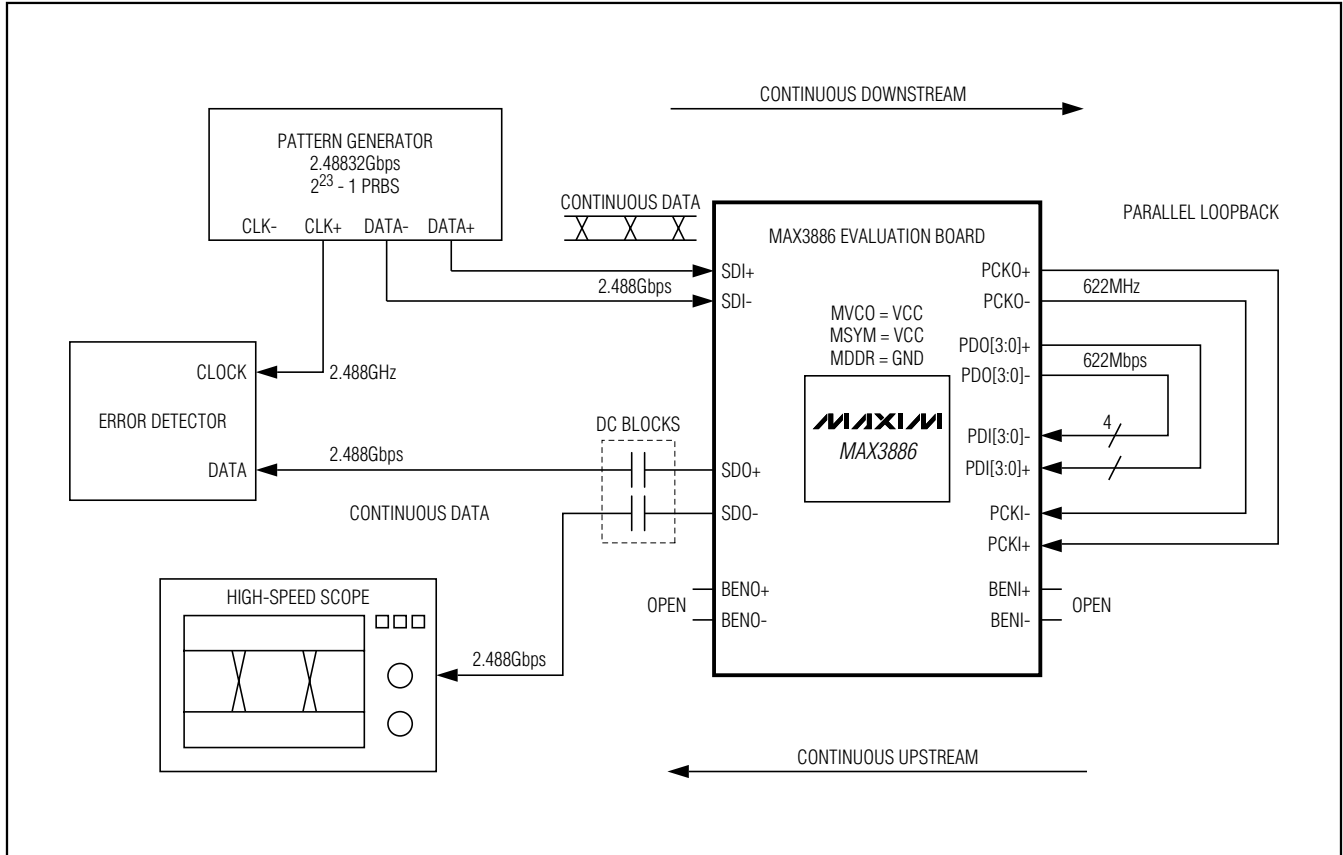


Figure 3. Evaluating MAX3886 with Parallel Loopback

MAX3886 Evaluation Kit

Evaluates: MAX3886

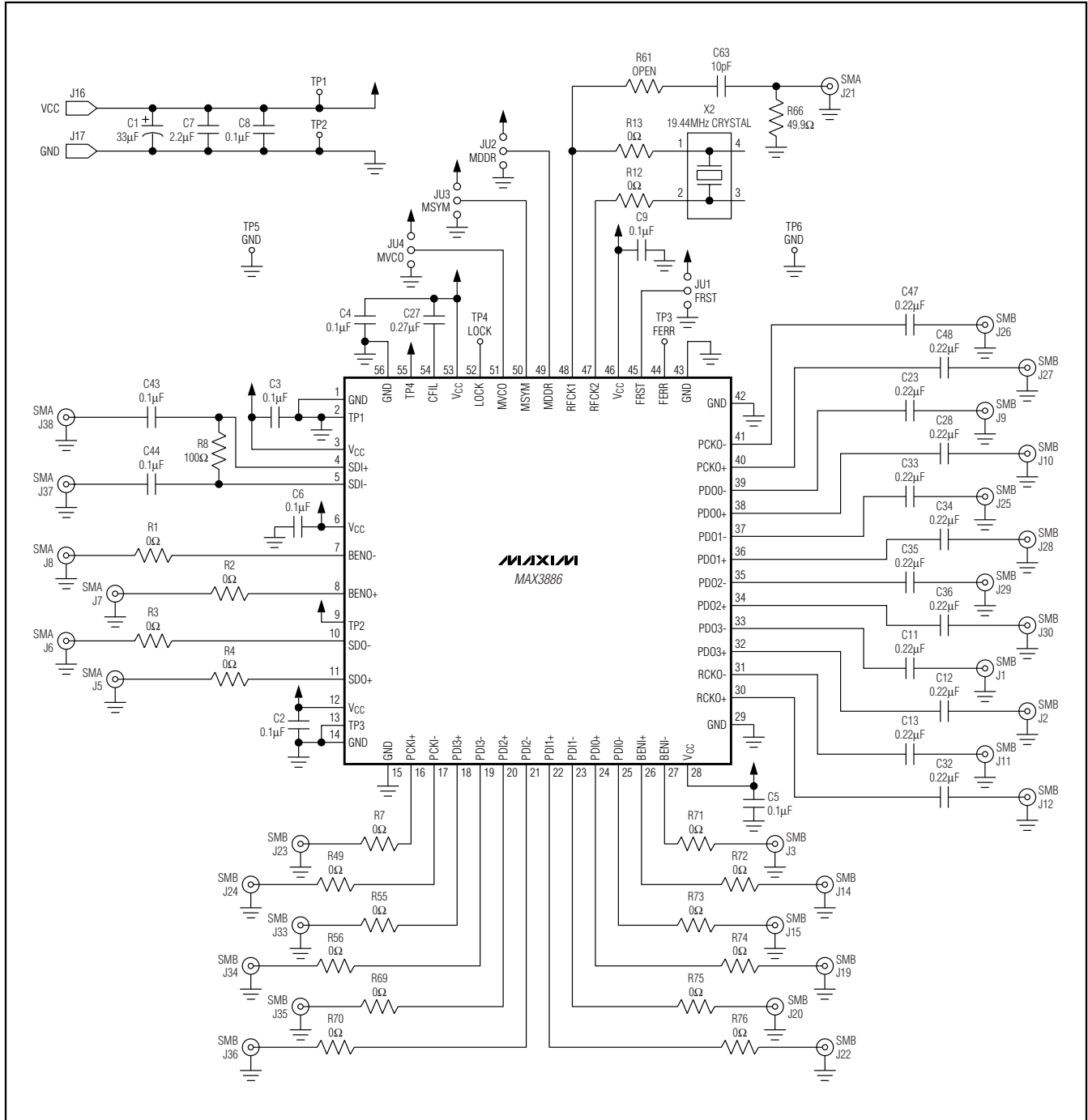


Figure 4. MAX3886 EV Kit Schematic

MAX3886 Evaluation Kit

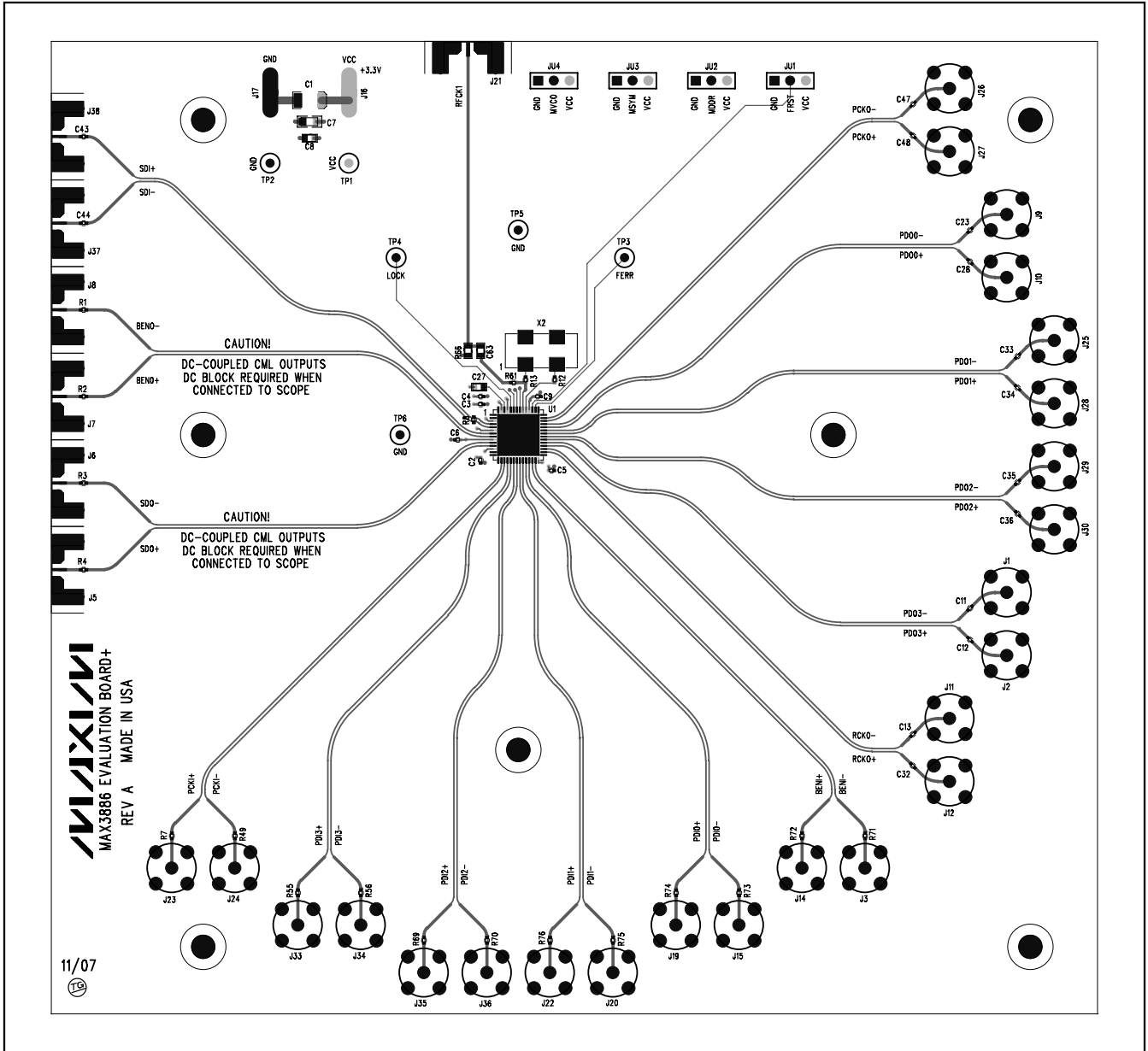


Figure 5. MAX3886 EV Kit Component Placement Guide—Component Side

MAX3886 Evaluation Kit

Evaluates: MAX3886

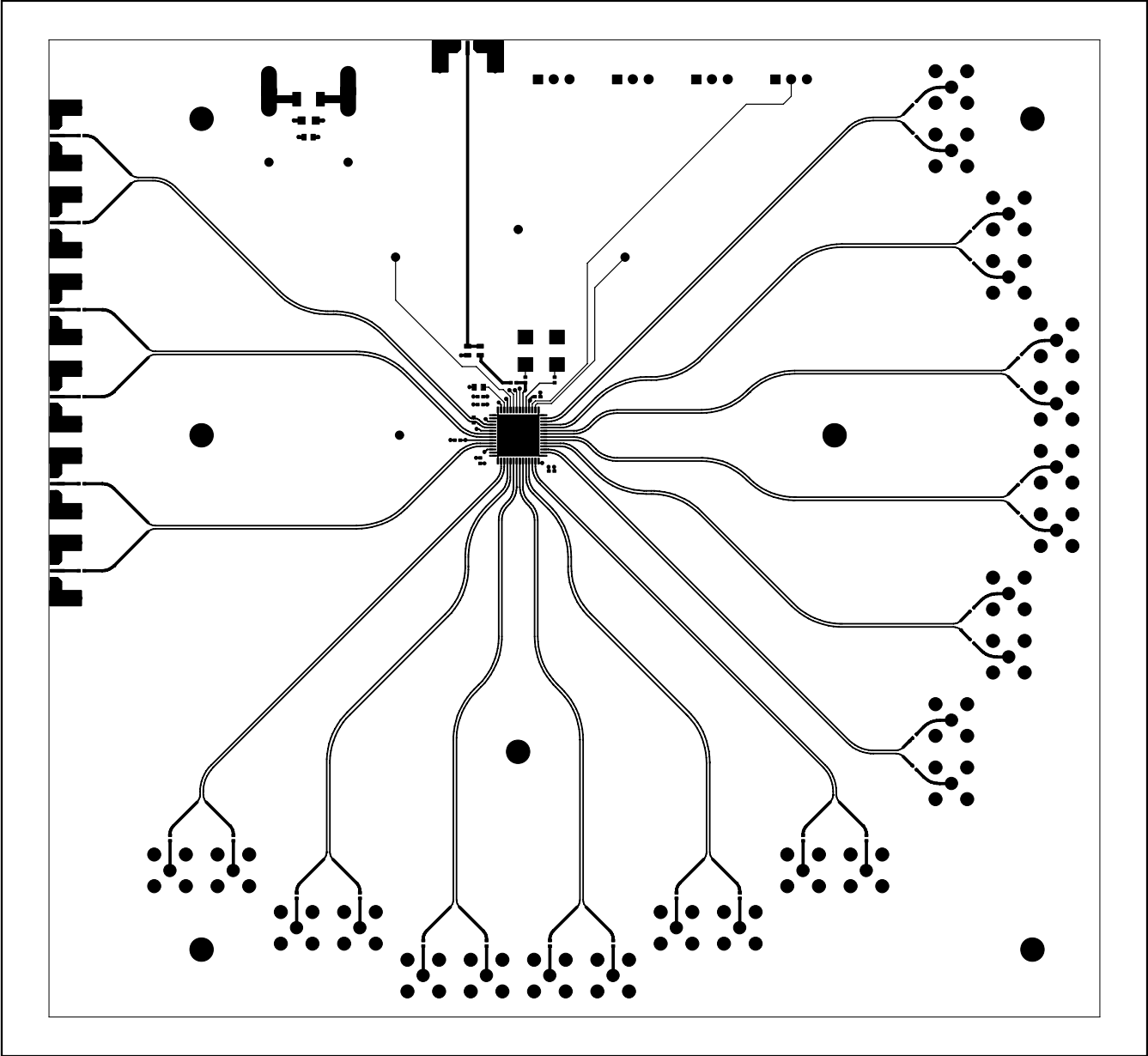


Figure 6. MAX3886 EV Kit PCB Layout—Component Side

MAX3886 Evaluation Kit

Evaluates: MAX3886

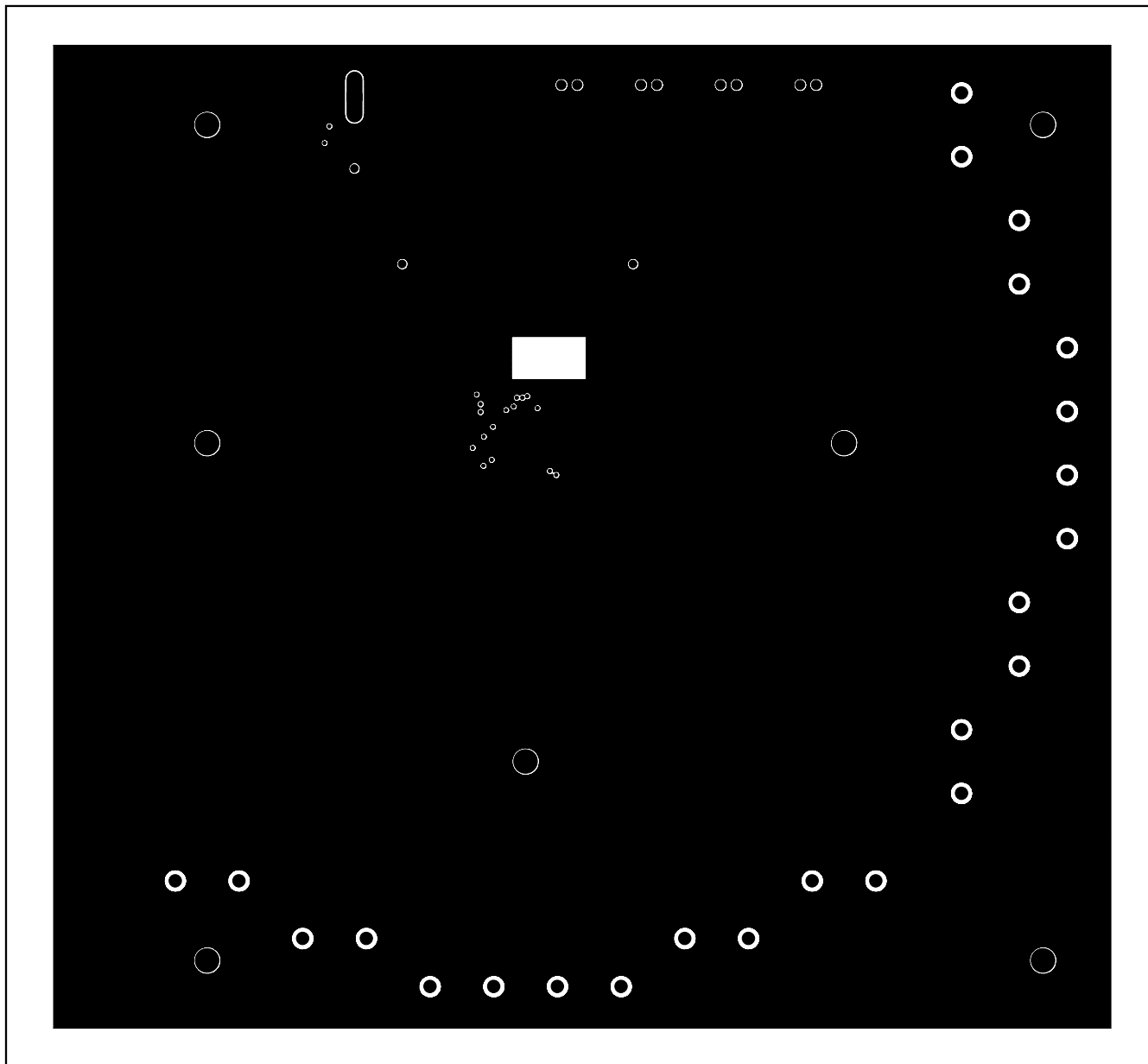


Figure 7. MAX3886 EV Kit PCB Layout—Ground Plane

MAX3886 Evaluation Kit

Evaluates: MAX3886

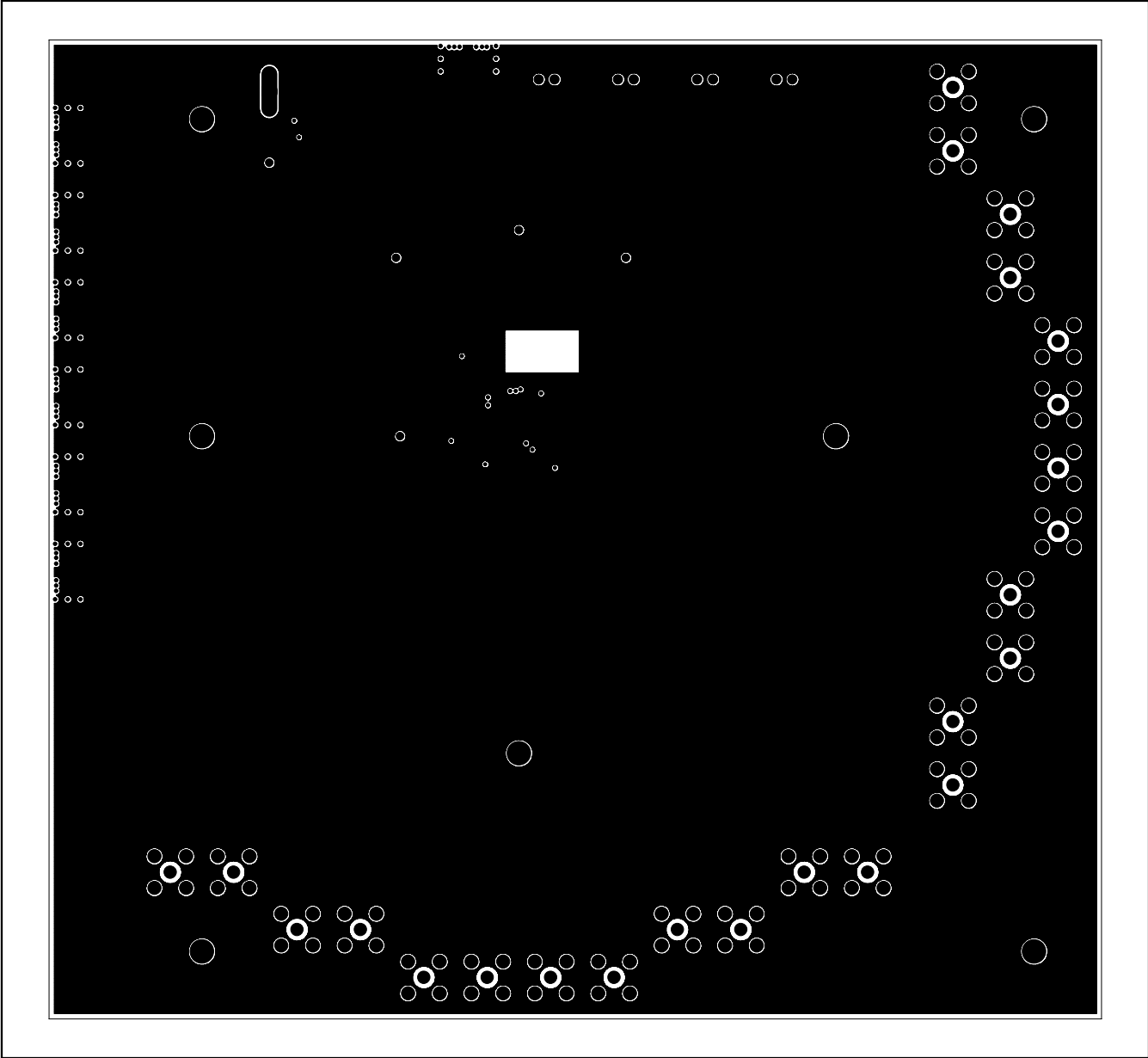


Figure 8. MAX3886 EV Kit PCB Layout—Power Plane

MAX3886 Evaluation Kit

Evaluates: MAX3886

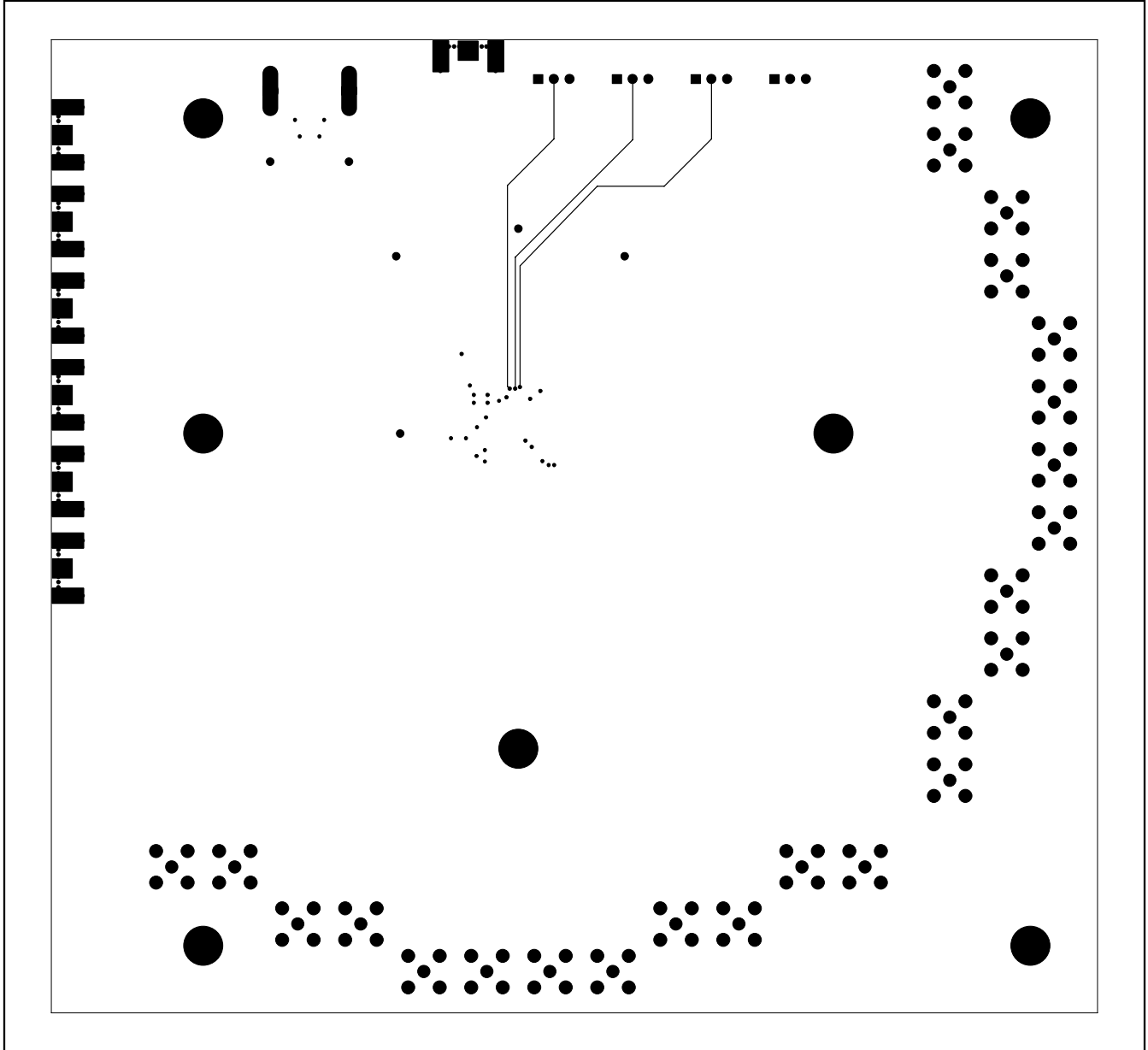


Figure 9. MAX3886 EV Kit PCB Layout—Solder Side

Maxim cannot assume responsibility for use of any circuitry other than circuitry entirely embodied in a Maxim product. No circuit patent licenses are implied. Maxim reserves the right to change the circuitry and specifications without notice at any time.

12 **Maxim Integrated Products, 120 San Gabriel Drive, Sunnyvale, CA 94086 408-737-7600**

© 2008 Maxim Integrated Products

MAXIM is a registered trademark of Maxim Integrated Products, Inc.