



# MAX1320 Evaluation Kit/Evaluation System

## General Description

The MAX1320 evaluation system (EV system) is a complete 8-channel, 14-bit, data-acquisition system (DAS). The MAX1320 EV system (MAX1320EVB16) consists of a MAX1320 evaluation kit (EV kit) and the Maxim 68HC16MOD-16WIDE microcontroller ( $\mu$ C) module. Order the EV kit (MAX1320EVKIT) separately if the user has a parallel bus controller or if the 68HC16MOD-16WIDE  $\mu$ C module has already been purchased.

The MAX1320 EV kit can be used to evaluate the MAX1320 with an external system clock. In this mode, the 68HC16MOD-16WIDE board cannot be used and the user must supply a parallel interface.

The EV kit comes with the MAX1320ECM installed. To evaluate the pin-compatible MAX1316ECM-MAX1319ECM and MAX1321ECM-MAX1327ECM, contact the factory for free samples.

## MAX1320EVB16 Component List

PART	QTY	DESCRIPTION
MAX1320EVKIT	1	MAX1320 EV kit
68HC16MOD-16WIDE	1	68HC16 $\mu$ C module

DESIGNATION	QTY	DESCRIPTION
C1-C6, C19	7	2.2 $\mu$ F $\pm$ 10%, 25V X7R ceramic capacitors (1206) TDK C3216X7R1E225K
C7-C18, C20-C27	20	0.1 $\mu$ F $\pm$ 10%, 25V X7R ceramic capacitors (0603) TDK C1608X7R1E104K
C28, C29	2	0.01 $\mu$ F $\pm$ 10%, 25V X7R ceramic capacitors (0603) Murata GRM188R71E103K
C30	1	4.7 $\mu$ F $\pm$ 10%, 16V X7R ceramic capacitor (1206) TDK C3216X7R1C475K
C31-C38	8	1000pF $\pm$ 10%, 50V X7R ceramic capacitors (0603) Murata GRM188R71H102K
ECLK, CONVST	2	SMA connectors
FB1	1	Ferrite bead TDK MMZ1608B601C (0603)
J1	1	2 x 9-pin header
J2	1	2 x 14-pin header

Windows is a registered trademark of Microsoft Corp.



For pricing, delivery, and ordering information, please contact Maxim/Dallas Direct! at 1-888-629-4642, or visit Maxim's website at [www.maxim-ic.com](http://www.maxim-ic.com).

## Features

- ◆ Proven PC-Board Layout
- ◆ Windows® 98-/2000-/XP-Compatible Evaluation Software
- ◆ Buffers on All Input Channels
- ◆ Headers to Connect EV System to Logic Analyzer
- ◆ Fully Assembled and Tested

## Ordering Information

PART	INTERFACE TYPE
MAX1320EVKIT	User-supplied parallel-bus controller
MAX1320EVB16	Windows software

**Note:** The MAX1320 software is included with the MAX1320 EV kit but is designed for use with the complete EV system. The EV system includes both the Maxim  $\mu$ C module and the EV kit. If the Windows software will not be used, the EV kit board can be purchased without the Maxim  $\mu$ C module.

**Note:** To evaluate the MAX1316ECM-MAX1319ECM or the MAX1321ECM-MAX1327ECM, request a free sample when ordering the MAX1320EVKIT or MAX1320EVB16.

## MAX1320EVKIT Component List

DESIGNATION	QTY	DESCRIPTION
J3, J4	2	2 x 20, 0.1in right-angle receptacles
JU1-JU12	12	2-pin headers
JU13-JU16	4	3-pin headers
JU17, JU18, JU19	0	Not installed (2-pin headers)
R1-R8	8	100k $\Omega$ $\pm$ 5% resistors (0603)
R9-R16	8	10 $\Omega$ $\pm$ 5% resistors (0603)
R17-R24	8	8.66k $\Omega$ $\pm$ 1% resistors (0603)
R25-R32	8	24 $\Omega$ $\pm$ 5% resistors (0603)
U1	1	8-channel, 14-bit ADC MAX1320ECM (48-pin TQFP)
U2-U5	4	Dual-supply op amps MAX4351ESA (8-pin SO)
U6	1	Ultra-high-precision voltage regulator MAX6126AASA25 (8-pin SO)
None	16	Shunts
None	1	MAX1320 EV kit PC board
None	1	MAX1320 EV kit software, CD-ROM

# MAX1320 Evaluation Kit/Evaluation System

## MAX1320 EV Kit Files

FILE	DESCRIPTION
INSTALL.EXE	Installs the EV kit files on your computer
MAX1320.EXE	Application program
MAX1320.C16	68HC16MOD-16WIDE software
HELPPFILE.HTM	MAX1320 EV kit help file
UNINST.INI	Uninstalls the EV kit software
MAX1320.ASM	68HC16MOD-16WIDE $\mu$ C source file
EVKIT2.ASM	68HC16MOD-16WIDE $\mu$ C source file
GPT.ASM	68HC16MOD-16WIDE $\mu$ C source file
QSPI.ASM	68HC16MOD-16WIDE $\mu$ C source file

## Component Suppliers

SUPPLIER	PHONE	WEBSITE
Murata	770-436-1300	www.murata.com
TDK	847-803-6100	www.component.tdk.com

**Note:** Indicate you are using the MAX1320 when contacting these component suppliers.

## Quick Start

### Recommended Equipment

- Maxim MAX1320EVB16 EV system (MAX1320EVKIT and 68HC16MOD-16WIDE  $\mu$ C module)
- 3 power supplies:
  - 1) 7V or higher (up to 20V) at 300mA for the 68HC16MOD-16WIDE
  - 2) 5V at 250mA for AVDD
  - 3)  $\pm 5.5$ V at 250mA for HVAVCC and HVAVEE (or  $\pm 10$ V at 250mA to evaluate the MAX1324ECM-MAX1327ECM)
- Waveform generator (optional)
- Digital voltmeter (DVM)
- User-supplied 9-pin serial extension cable
- User-supplied Windows 98/2000/XP PC with an available RS-232 serial port
- Logic analyzer (optional)

### Procedure

**Do not turn on the power until all connections are made.**

- 1) Set JU1 to 1-2 (selects midscale reference for bipolar operation).
- 2) Set JU2 to 1-2 (selects on-board external reference).
- 3) Remove shunt from JU3 (disables autoread feature).
- 4) Set JU4 to 1-2 (enables the MAX1320 internal clock).
- 5) Set JU5-JU12 to 1-2 (selects buffered input for channel 0 through channel 7).
- 6) Set JU13 to 2-3 (selects midscale reference for bipolar operation).
- 7) Set JU14 to 1-2 (enables the MAX1320 internal clock).
- 8) Set JU15 to 2-3 (selects VCC from 68HC16MOD-16WIDE as DVDD)
- 9) Set JU16 to 2-3 (selects HVAVCC pad as positive supply for input buffers).
- 10) Connect the MAX1320 EV kit's two 40-pin female connectors (J3 and J4) to the 68HC16MOD-16WIDE module's two 40-pin male connectors (P1 and P2).
- 11) Connect the 9-pin serial cable from the computer's serial port to the 68HC16MOD-16WIDE module's DB9 connector (J3). Use a USB-to-serial adapter if your computer does not have a serial port.
- 12) Install the MAX1320 evaluation software on your computer by running the INSTALL.EXE program. The files can be obtained from the Maxim website or the enclosed CD. The program files are copied and icons are created for them in the Windows **Start** menu.
- 13) Connect the +5V power supply between the MAX1320 EV kit's AVDD and AGND pads.
- 14) Connect the  $\pm 5.5$ V power supply to the MAX1320 EV kit (+5.5V to HVAVCC pad, ground to AGND pad, and -5.5V to HVAVEE pad).
- 15) Connect the 7V (up to 20V supported) power supply to the 68HC16MOD-16WIDE's power connector (J2).
- 16) Turn on all three power supplies.
- 17) Turn on the 68HC16MOD-16WIDE by setting SW1 to the ON position.
- 18) Measure the voltage at REF using the DVM and verify that the voltage is  $2.500\text{V} \pm 0.025\text{V}$ .
- 19) Start the MAX1320 EV kit software by double-clicking its icon in the **Start** menu.

# MAX1320 Evaluation Kit/Evaluation System

## Detailed Description of Software

To start the software, double-click the MAX1320 EV kit icon that is created during installation. The Serial Form, shown in Figure 1, appears and the user must click **Ok** to upload the firmware to the 68HC16MOD-16WIDE and begin the program.

When the firmware has been uploaded and the  $\mu\text{C}$  on the 68HC16MOD-16WIDE has booted, the MAX1320 evaluation software (shown in Figure 2) appears.

The **Part** pulldown menu allows the user to select any part in the MAX1316ECM–MAX1327ECM family. By default, the MAX1320ECM is selected. The **Sampling** pulldown menu allows the user to select between three sampling modes: single sample, continuous sample, and block sample. Note that in block-sample mode, the user can select the sampling rate (per channel) and this rate changes depending on how many channels are selected.

The check boxes in the **Power Saving Modes** box allow the user to enable the different power-saving features of the MAX1320. The two check boxes are labeled SHDN pin and ALLON pin and represent the state of the MAX1320's pin with the same designation. Checking and unchecking these boxes sets the corresponding IC pin high and low, respectively.

The **Channel Select** box contains a check box for each input channel of the IC. Checking the box allows the software to sample the channel.

The **Input Values** box displays the raw data and corresponding input voltage of all selected channels after sampling.

The **References** box allows the user to specify the exact references being used. The values for the reference voltage and the midscale voltage should be entered here. These values are used in the transfer function for converting the raw data into a corresponding input voltage.

The **Sample Options** box is used to control sampling in any of the three sampling modes. In single-sample mode, the **Sample** button is used to sample all selected channels once. In continuous-sample mode, the **Start** and **Stop** buttons are used to sample all selected channels and a sampling interval (between 200ms and 10,000ms) can be entered in the **Sampling Interval** text field. In block-sample mode, the **Sample** button is used to bring up the Sampling Tool (see Figure 3) and the **Sampling Frequency** scrollbar is used to select a sampling frequency per channel. Note that the sampling frequency will be adjusted as channels are selected/unselected and

will be accurate typically to within 0.5ms. To determine the exact sampling frequency per channel in block-sample mode, observe consecutive falling edges on the CONVST pin (J1-7) when sampling. To capture data for precision FFTs, use the MAX1320 EV kit with an external clock and a logic analyzer (instead of the 68HC16MOD-16WIDE) to read the parallel bus. This improves the accuracy of the ADC clocking system.

When using the MAX1320 evaluation software, the Serial Form and/or Graph Form can be displayed by clicking on the appropriate command in the **Options** menu. The Serial Form displays all communication between the MAX1320 evaluation software and the 68HC16MOD-16WIDE. The Graph Form (see Figure 4) displays a graph of sampled results when the software is in continuous-sample mode.

Note that when viewing graphical information (using either the Graph Form in continuous-sample mode or done automatically in block-sample mode), the raw codes collected from the MAX1320 are converted from two's complement (or offset binary in unipolar devices) to signed decimal. The raw data can be saved to a text file using the **Save...** menu item in the graph window.

## Detailed Description of Hardware

### MAX1320EVB16 EV System

The MAX1320EVB16 is a complete 8-channel, 14-bit, DAS consisting of a MAX1320 EV kit and the Maxim 68HC16MOD-16WIDE  $\mu\text{C}$  module.

### 68HC16MOD-16WIDE $\mu\text{C}$ Module

The 68HC16MOD-16WIDE provides a 16-bit parallel bus to demonstrate various Maxim devices. Maxim reserves the right to change the implementation of this module at any time with no advance notice.

### MAX1320 EV Kit

The MAX1320 EV kit board provides a proven layout for evaluating the MAX1320 8-channel, 14-bit ADC and can be obtained separately without the 68HC16MOD-16WIDE  $\mu\text{C}$  module. The MAX1320 EV kit includes an on-board 2.5V reference (MAX6126) and buffers (MAX4351) for all eight input channels. The MAX1320ECM (U1) is powered from two sources. The user must supply +5V between AVDD and AGND, and +3V to +5V between DVDD and DGND. DVDD can also be supplied from the 68HC16MOD-16WIDE using JU15.

The input buffers require a +5.5V positive supply (HVAVCC) and a -5.5V negative supply (HVAVEE). The positive supply for the input buffers must be applied on the HVAVCC pad or connected to AVDD using JU16.

# MAX1320 Evaluation Kit/Evaluation System

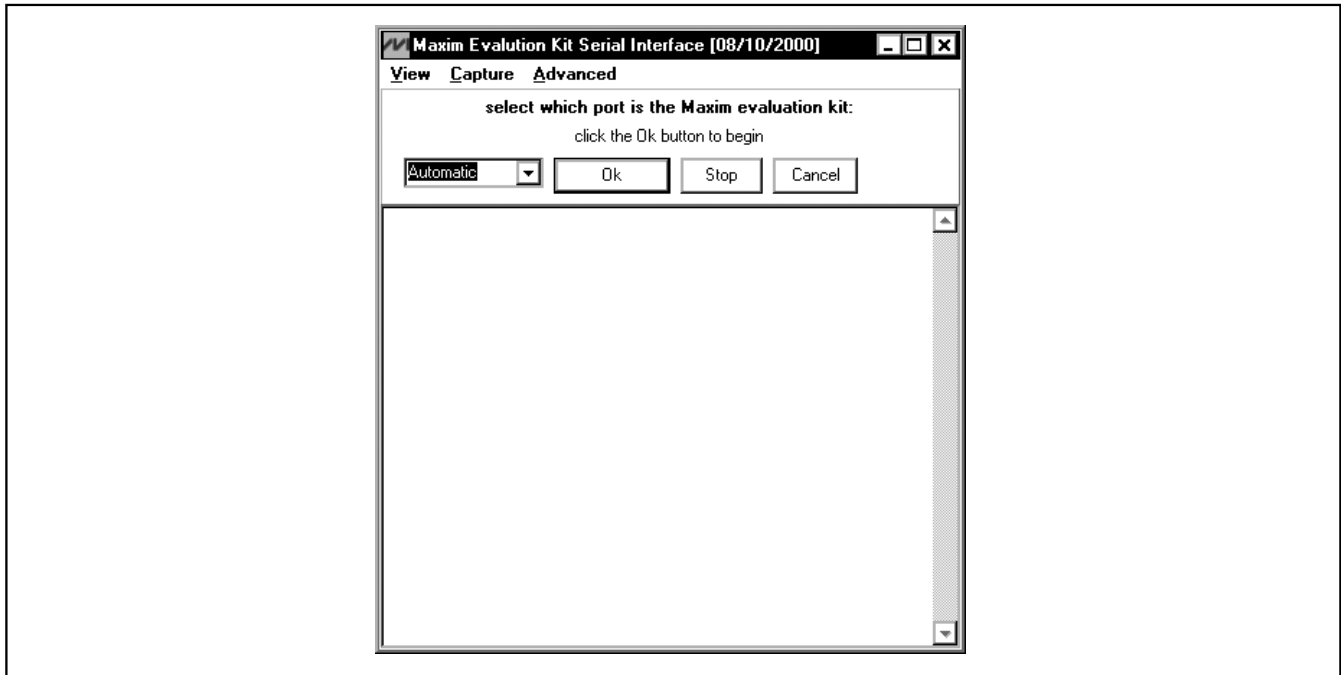


Figure 1. MAX1320 EV Kit Serial Form

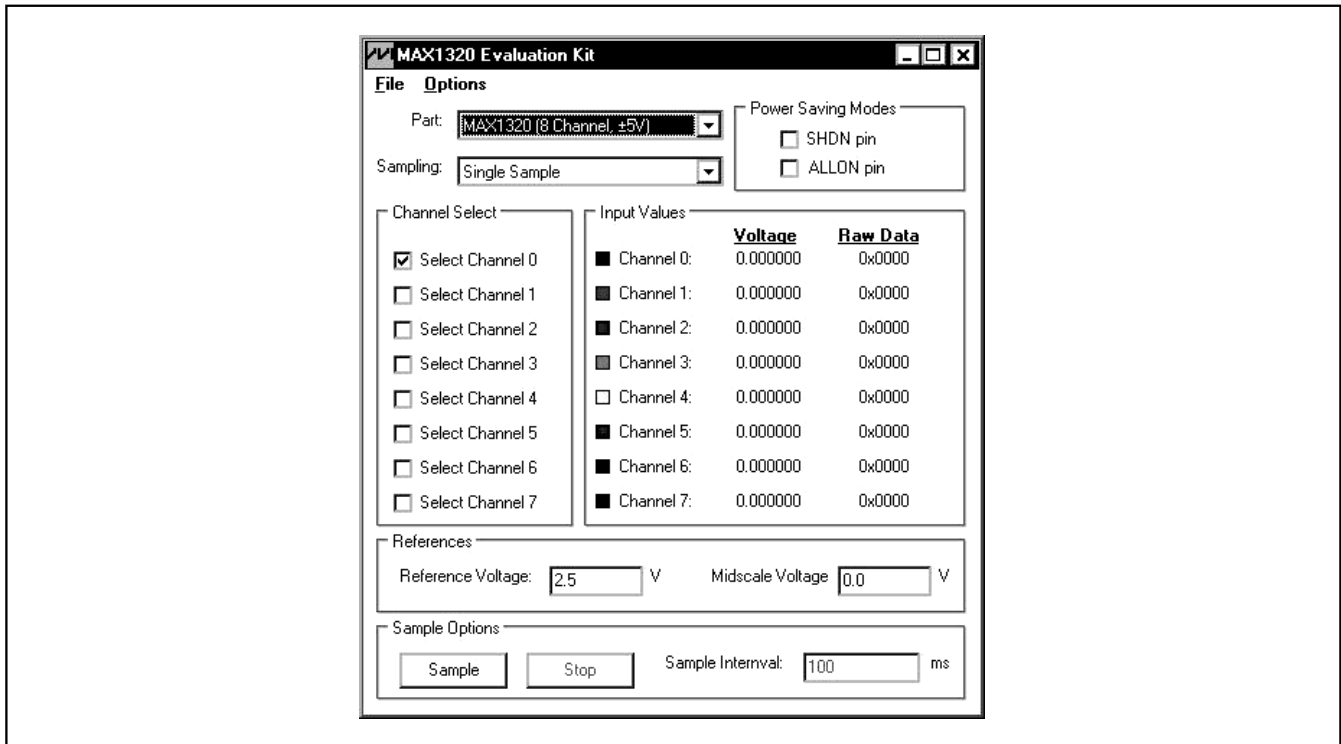


Figure 2. MAX1320 Evaluation Software

# MAX1320 Evaluation Kit/Evaluation System

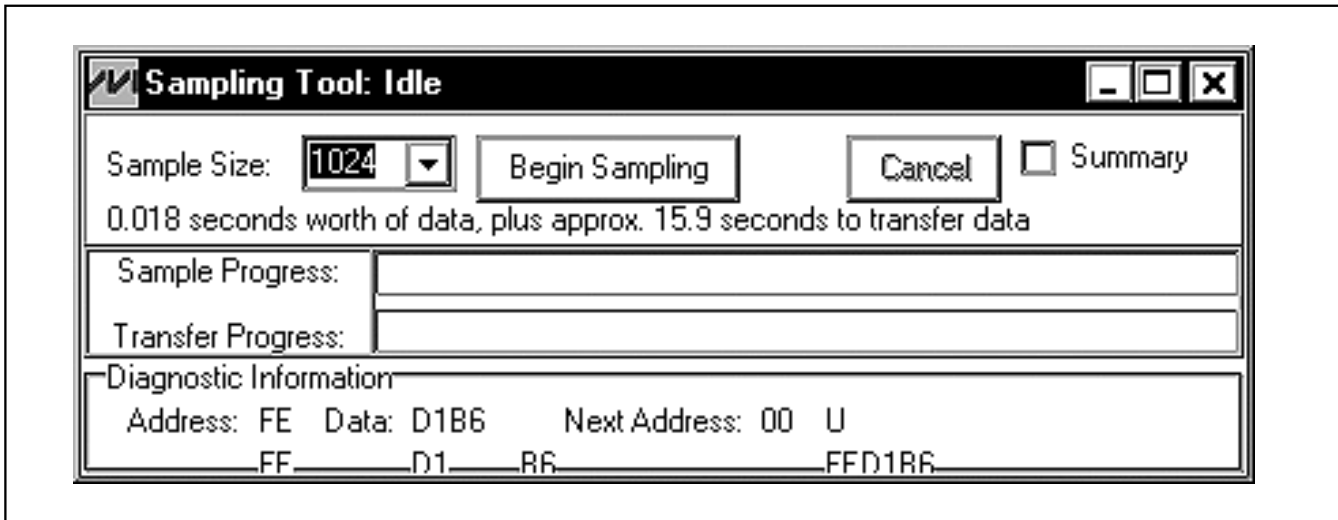


Figure 3. MAX1320 EV Kit Sampling Tool

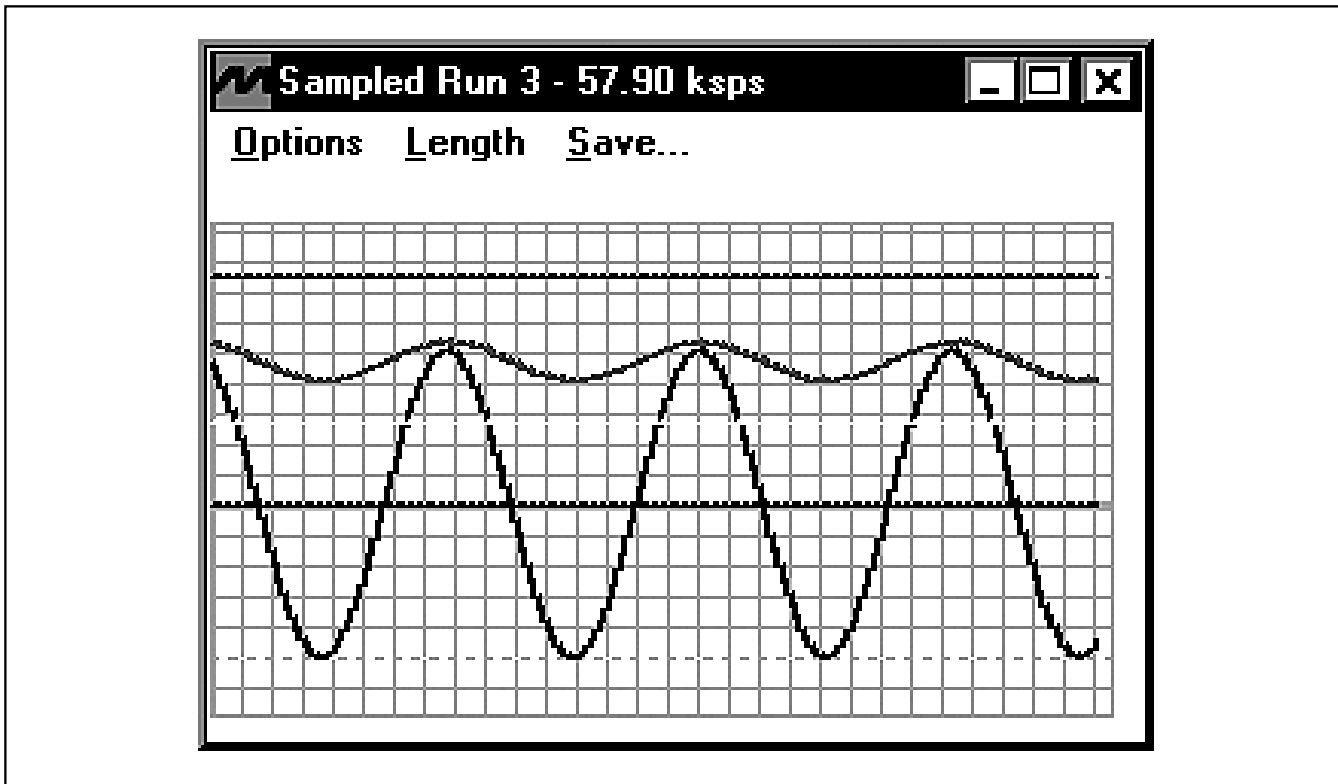


Figure 4. MAX1320 EV Kit Graph Form

# MAX1320 Evaluation Kit/Evaluation System

The negative supply must be applied on the HVAVEE pad. Connect the ground for these supplies to the AGND pad.

If the IC has less than eight input channels (i.e., four channels or two channels), the unused input pins can be connected to AGND or left floating. Note that if the inputs are buffered and exceed  $\pm 5V$  (i.e., when using the MAX1324-MAX1327 that support inputs up to  $\pm 10V$ ), replace the MAX4351 buffers (U2-U5) with buffers capable of a  $\pm 10V$  voltage range.

Jumpers on the EV kit allow evaluation of all the parts in the MAX1316-MAX1327 family. When changing between parts in the family, JU1 and JU13 must be set according to whether the IC accepts bipolar or unipolar inputs.

The MAX1320 on the EV kit uses the on-board MAX6126 2.5V reference instead of its internal reference when shipped. To use the MAX1320's internal 2.5V reference, remove the shunt from JU2. The user can also use an external reference by first removing the shunt from JU2 and applying the reference voltage to the REF pad. When using a non-default reference value, the user must update the value in the EV kit software's **References** box.

A logic analyzer can be used instead of the 68HC16MOD-16WIDE to evaluate the MAX1320 EV kit. For this configuration, disconnect the EV kit from the 68HC16MOD-16WIDE and connect the logic analyzer to J1 and J2. These headers allow access to the MAX1320 control (J1) and data (J2) pins.

When shipped, the MAX1320 EV kit is set to use the MAX1320 internal clock, but an external clock can be supported. To use an external clock, connect the clock signal to the ECLK SMA connector, remove the shunt from JU4, and set the shunt on JU14 to the 2-3 position. In this configuration, the 68HC16MOD-16WIDE can no longer be used and the user must supply a parallel interface (i.e., a logic analyzer).

When not using the 68HC16MOD-16WIDE as the parallel interface, the MAX1320 EV kit can be put into autoread mode by placing a jumper on pins 1-2 of JU3. In this mode, the MAX1320  $\overline{EOC}$  pin is connected to the  $\overline{RD}$  strobe and available samples are immediately outputted on the parallel bus. When performing autoread, the  $\overline{CS}$  pin can be connected low by placing a jumper between J1-9 and J1-10.

Note that when the 68HC16MOD-16WIDE is not being used as the parallel interface, JU15 must be set to the 1-2 position and DVDD must be supplied between the DVDD and DGND pads on the EV kit.

## Jumper Selection Tables

The following tables (Tables 1-9) explain the functionality of each jumper on the MAX1320 EV kit.

**Table 1. Midscale Voltage Select**

JUMPER	SHUNT POSITION	DESCRIPTION
JU1	Short*	Midscale voltage is set for bipolar inputs.
	Open	Midscale voltage is set for unipolar inputs.

\*Default configuration.

**Table 2. Reference Select**

JUMPER	SHUNT POSITION	DESCRIPTION
JU2	Short*	Select on-board 2.5V reference (MAX6126) as voltage reference.
	Open	Select internal 2.5V reference or external REF pad as voltage reference. Note that external reference must be between 2V and 3V.

\*Default configuration.

**Table 3. Autoread Mode**

JUMPER	SHUNT POSITION	DESCRIPTION
JU3	Short	Connects $\overline{RD}$ and $\overline{EOC}$ lines for autoread mode.
	Open*	Disables autoread mode.

\*Default configuration.

**Table 4. ADC Clock-Source Select**

JUMPER	SHUNT POSITION	DESCRIPTION
JU4	Short*	Select internal clock as ADC system clock.
	Open	Select external ECLK SMA as ADC system clock.

\*Default configuration.

# MAX1320 Evaluation Kit/Evaluation System

**Table 5. Buffered Input Select**

JUMPER	SHUNT POSITION	DESCRIPTION
JU5–JU12	Short*	Channel X (where X is determined by the jumper number minus 5) input must appear on CHX-BUF pads and is buffered using the MAX4351.
	Open	Channel X (where X is determined by the jumper number minus 5) input must appear on CHX pads and is not buffered.

\*Default configuration.

**Table 6. Midscale Reference Select**

JUMPER	SHUNT POSITION	DESCRIPTION
JU13	1-2	Midscale reference is set for unipolar inputs.
	2-3*	Midscale reference is set for bipolar inputs.

\*Default configuration.

## General Troubleshooting

**Problem 1:** 68HC16MOD-16WIDE not found (see Figure 5).

- Is LED1 on the 68HC16MOD-16WIDE lit?
- Is the power supply connected?
- Is SW1 turned to ON position?
- Is the DB9 serial-communications cable connected?
- Could another application be using the COM port (i.e., PDA software)?

**Problem 2:** Cannot read data from MAX1320 EV kit.

- Are JU5–JU12 set for buffered or unbuffered inputs?
- Are the buffer power supplies (HVAVCC and HVAVEE) connected?
- Are the MAX1320 EV kit power supplies (AVDD and DVDD) connected?
- Are JU4 and JU14 set for internal or external clock?
- Is the part in shutdown mode?

**Table 7. ADC System Clock Select**

JUMPER	SHUNT POSITION	DESCRIPTION
JU14	1-2*	Select internal clock as ADC system clock.
	2-3	Select external ECLK SMA as ADC system clock.

\*Default configuration.

**Table 8. DVDD Select**

JUMPER	SHUNT POSITION	DESCRIPTION
JU15	1-2	DVDD supplied from DVDD pad.
	2-3*	DVDD connected to VCC supply from 68HC16MOD-16WIDE.

\*Default configuration.

**Table 9. Positive Supply for Input Buffers (HVAVCC) Select**

JUMPER	SHUNT POSITION	DESCRIPTION
JU16	1-2	Positive supply to input buffers connected to AVDD.
	2-3*	Positive supply to input buffers connected to HVAVCC pad.
	Open	No positive supply to input buffers.

\*Default configuration.

**Problem 3:** Data being read from the MAX1320 seems incorrect.

- Are JU1 and JU13 set for bipolar or unipolar inputs?
- Is the reference voltage entered correctly in the MAX1320 evaluation software?
- Is the midscale voltage entered correctly in the MAX1320 evaluation software?
- Is the correct part selected in the MAX1320 evaluation software?
- Is the source impedance less than 100Ω?

# MAX1320 Evaluation Kit/Evaluation System

Evaluate: MAX1316-MAX1327

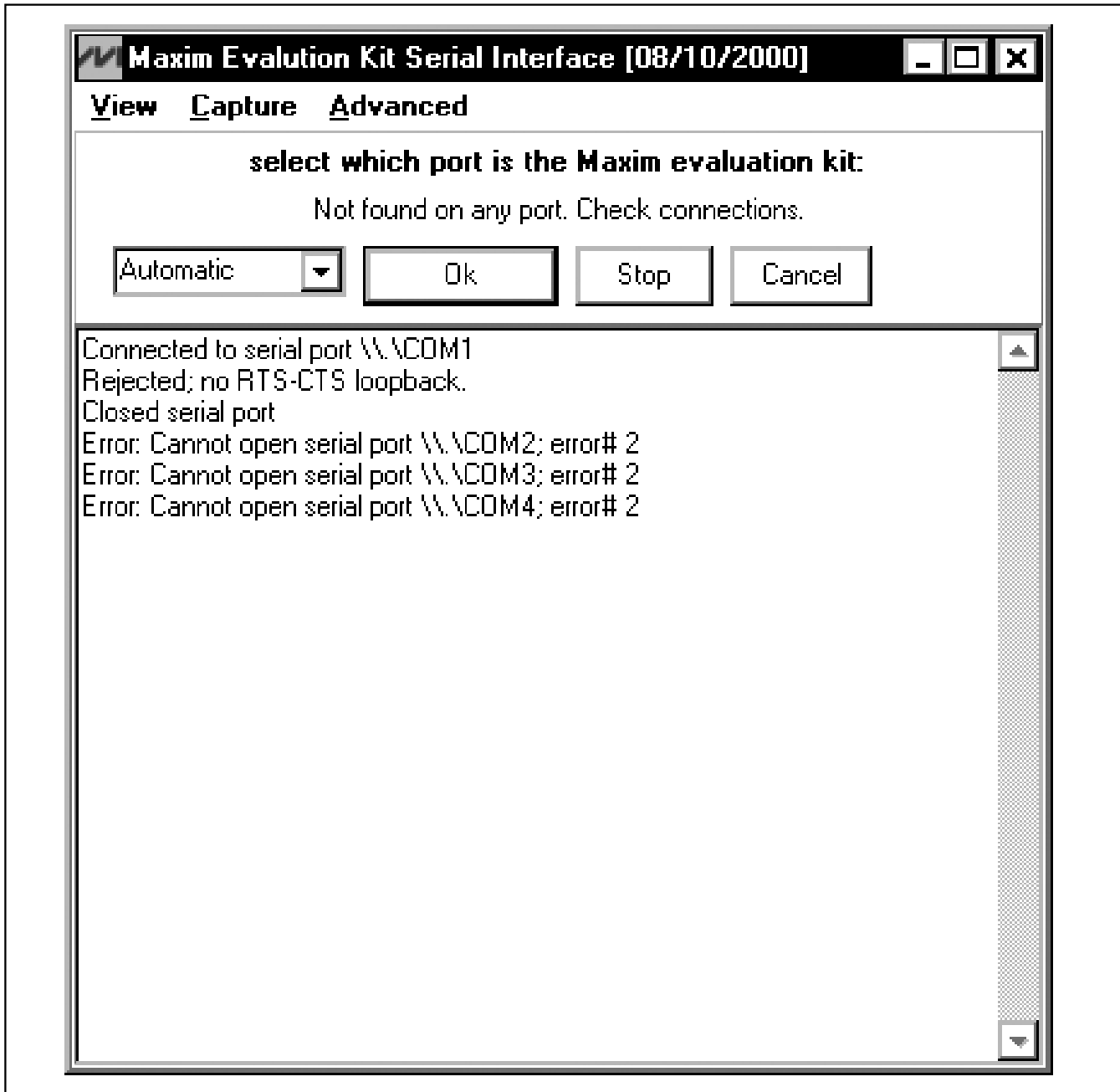


Figure 5. 68HC16MOD-16WIDE Not-Found Error Message

# MAX1320 Evaluation Kit/Evaluation System

Evaluate: MAX1316-MAX1327

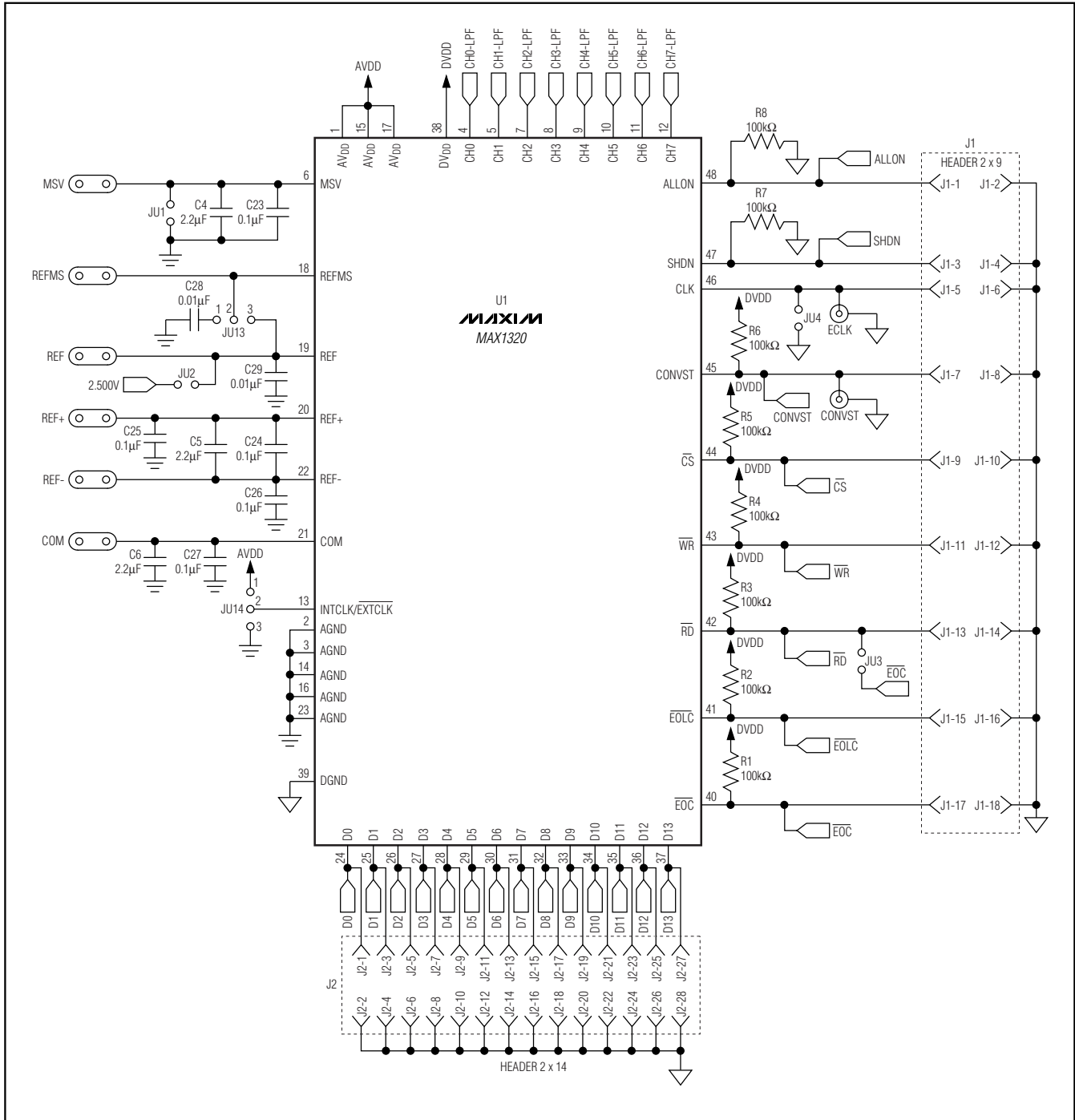


Figure 6. MAX1320 EV Kit Schematic (Sheet 1 of 3)

# MAX1320 Evaluation Kit/Evaluation System

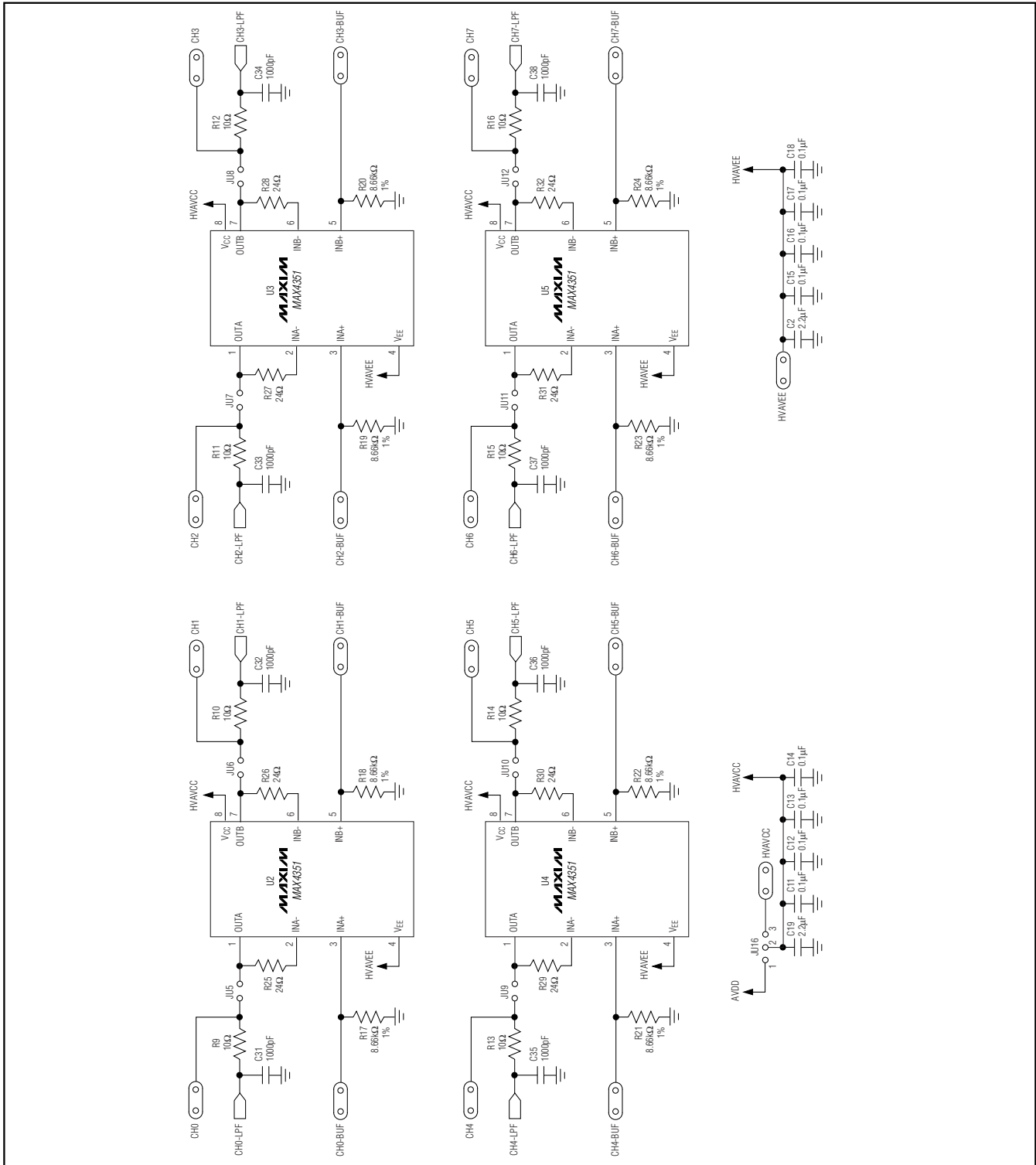


Figure 6. MAX1320 EV Kit Schematic (Sheet 2 of 3)

# MAX1320 Evaluation Kit/Evaluation System

Evaluate: MAX1316-MAX1327

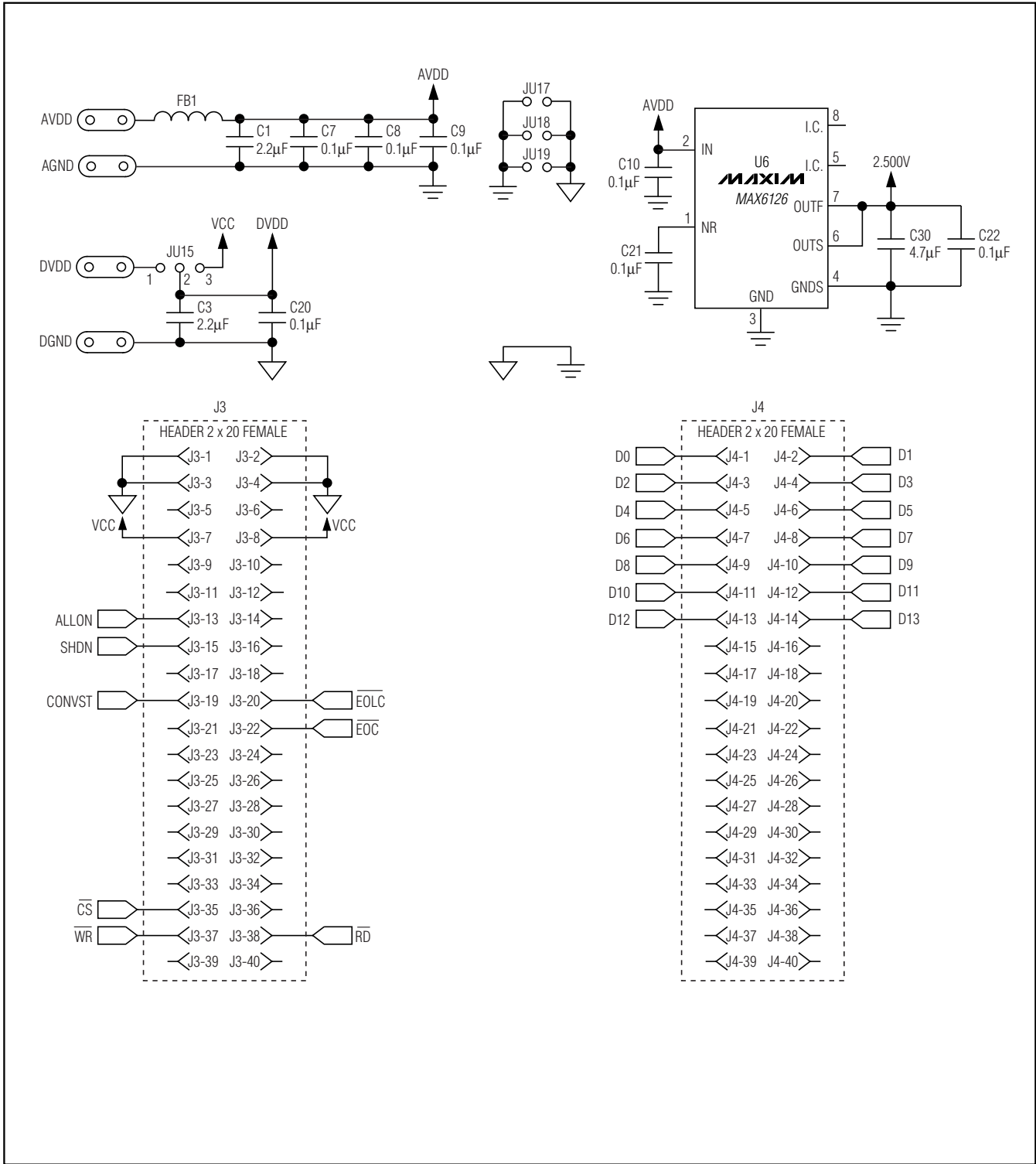


Figure 6. MAX1320 EV Kit Schematic (Sheet 3 of 3)

# MAX1320 Evaluation Kit/Evaluation System

**Evaluate: MAX1316-MAX1327**

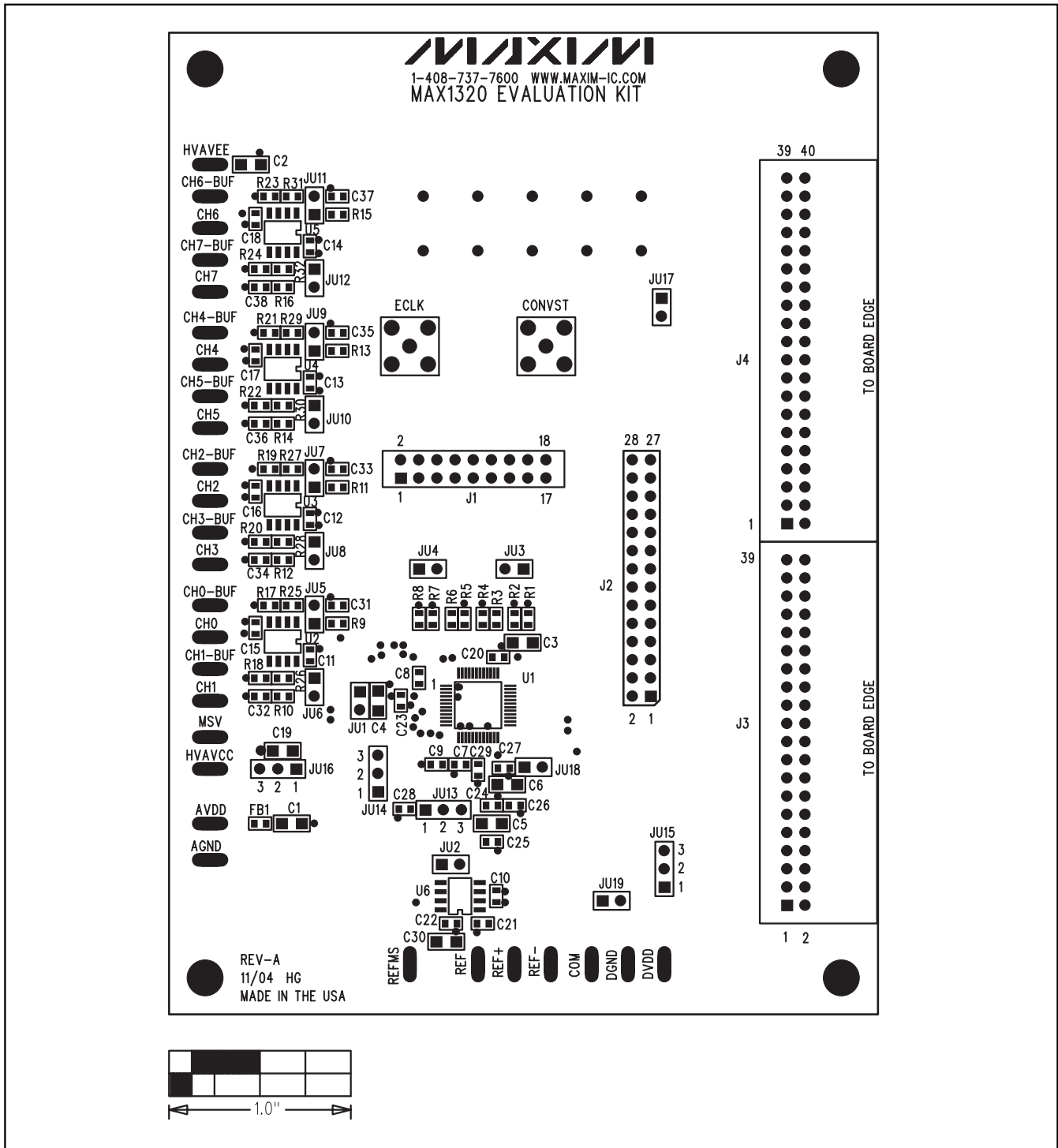


Figure 7. MAX1320 EV Kit Component Placement Guide—Component Side

# MAX1320 Evaluation Kit/Evaluation System

Evaluate: MAX1316-MAX1327

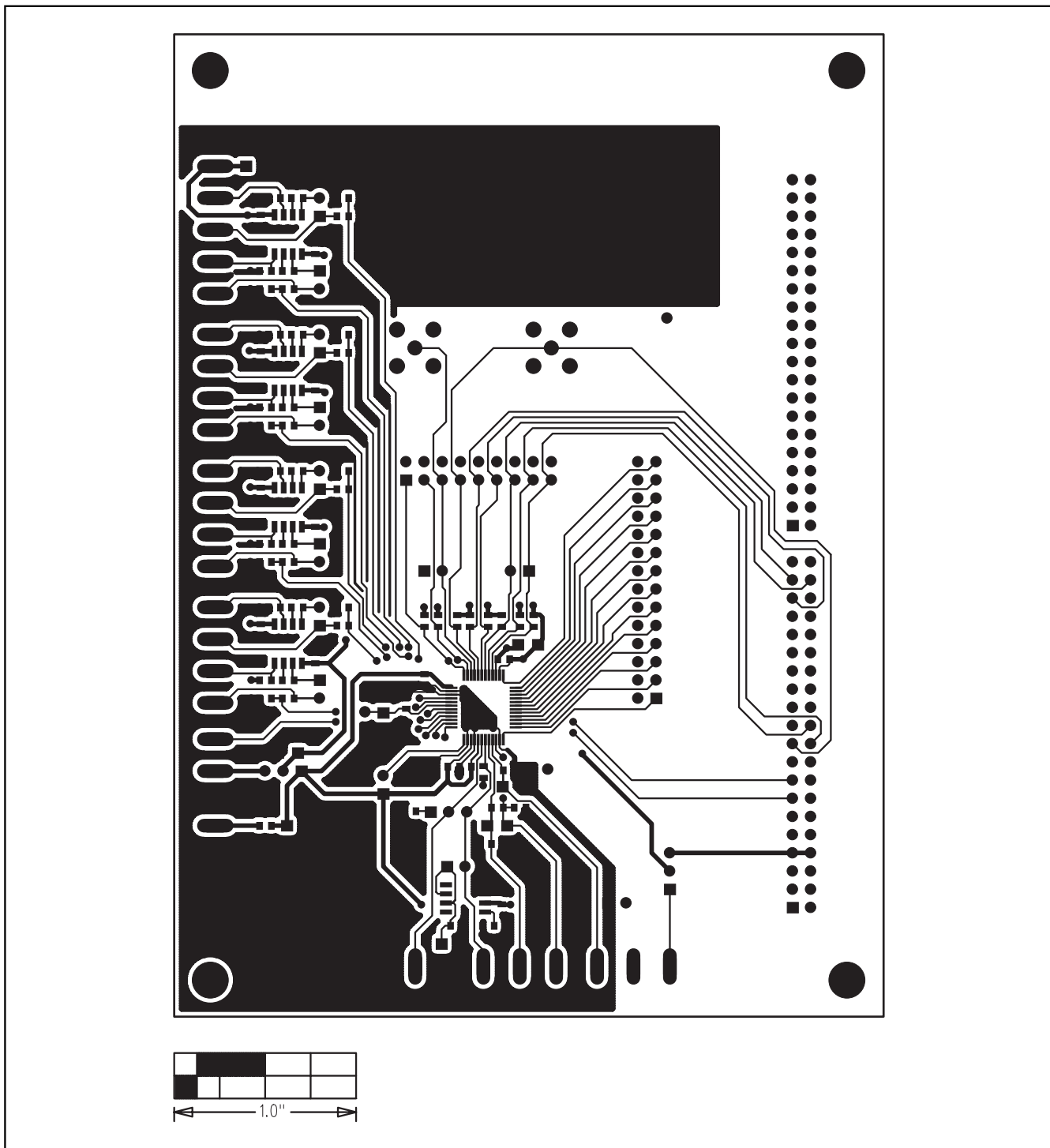


Figure 8. MAX1320 EV Kit PC Board Layout—Component Side

# MAX1320 Evaluation Kit/Evaluation System

Evaluate: MAX1316-MAX1327

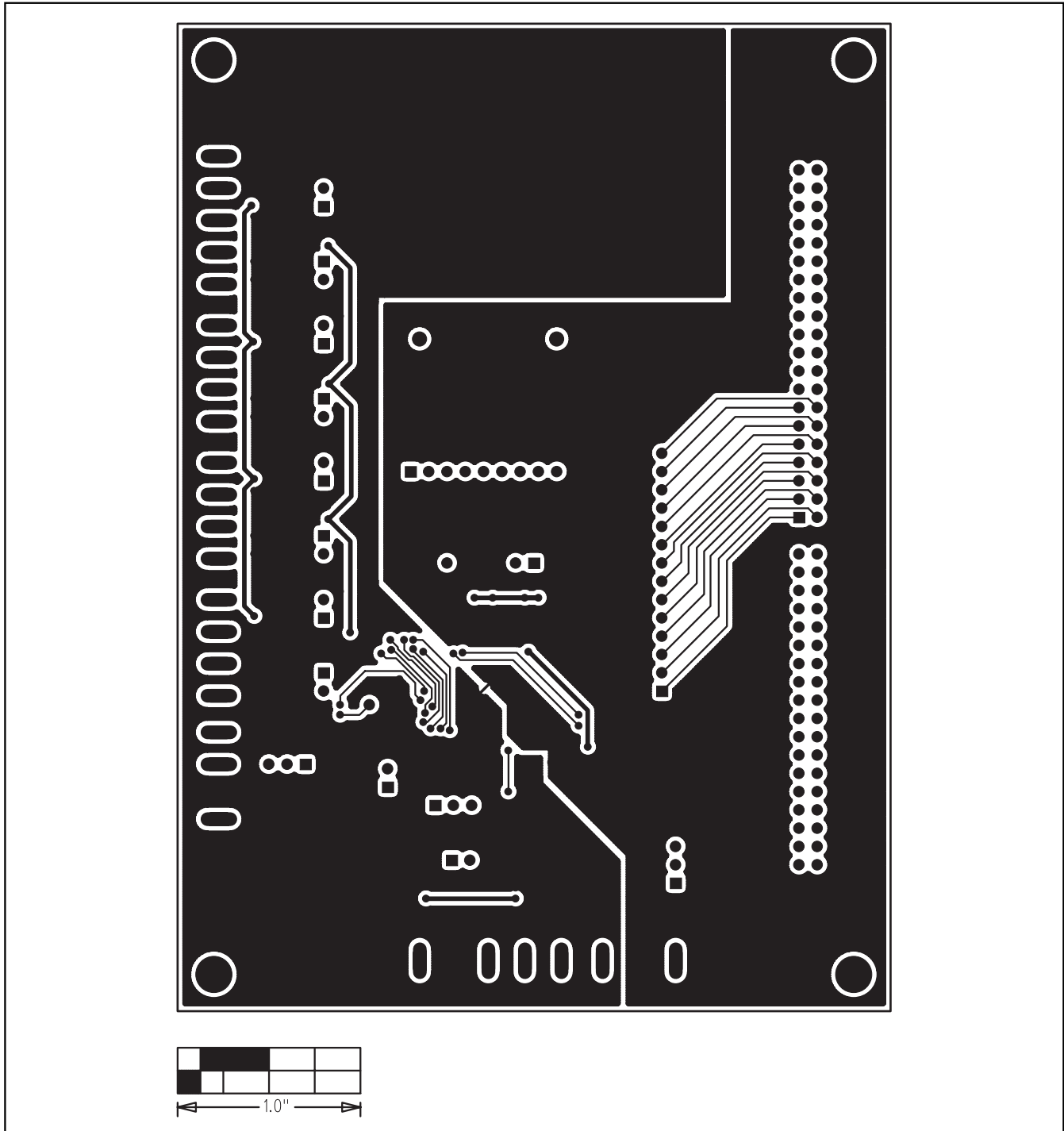


Figure 9. MAX1320 EV Kit PC Board Layout—Solder Side

Maxim cannot assume responsibility for use of any circuitry other than circuitry entirely embodied in a Maxim product. No circuit patent licenses are implied. Maxim reserves the right to change the circuitry and specifications without notice at any time.

14 \_\_\_\_\_ **Maxim Integrated Products, 120 San Gabriel Drive, Sunnyvale, CA 94086 408-737-7600**