



MAX1213N/MAX1214N Evaluation Kits

General Description

The MAX1213N/MAX1214N evaluation kits (EV kits) are fully assembled and tested circuit boards that contain all the components necessary to evaluate the performance of the MAX1213N or MAX1214N analog-to-digital converters (ADCs). The EV kits feature a singled-ended-to-differential conversion circuit to drive the MAX1213N/MAX1214N inputs. The digital outputs produced by the ADC can be captured with a user-provided high-speed logic analyzer or data-acquisition system. Additionally, the EV kits include circuitry that generates a differential clock signal from a user-provided single-ended AC signal.

Features

- ◆ Up to 170Msps (MAX1213N)/210Msps (MAX1214N) Sampling Rate
- ◆ Low-Voltage and Low-Power Operation
- ◆ Fully Differential Signal Input Configuration
- ◆ On-Board Differential Output Drivers
- ◆ Fully Assembled and Tested

Ordering Information

PART	TEMP RANGE**	IC PACKAGE
MAX1213NEVKIT	0°C to +70°C	68 QFN-EP*
MAX1214NEVKIT	0°C to +70°C	68 QFN-EP*

*EP = Exposed paddle.

**EV kit PC board temperatures only.

Common Component List

DESIGNATION	QTY	DESCRIPTION
C1–C9, C13, C15, C16, C18, C19, C20, C35–C39, C49, C52	22	0.1μF ±10%, 10V X5R ceramic capacitors (0402) TDK C1005X5R1A104K
C10, C27, C28, C40	4	220μF ±20%, 6.3V tantalum capacitors (C-case) AVX TPSC227M006R0250
C11, C30	2	22μF ±10%, 6.3V X5R ceramic capacitors (0805) TDK C2012X5R0J226K
C12, C17, C58–C71	0	Not installed, ceramic capacitors (0402)
C14, C33	2	2.2μF ±10%, 6.3V X5R ceramic capacitors (0603) TDK C1608X5R0J225K
C21–C24	4	0.22μF ±10%, 6.3V X5R ceramic capacitors (0402) TDK C1005X5R0J224K
C25, C26, C51, C53, C54, C55	6	0.1μF ±10%, 50V X7R ceramic capacitors (0603) TDK C1608X7R1H104K
C29, C41	2	10μF ±20%, 6.3V X5R ceramic capacitors (0805) TDK C2012X5R0J106M

DESIGNATION	QTY	DESCRIPTION
C31, C43	0	Not installed, capacitors (0805)
C32, C42	2	1.0μF ±10%, 10V X5R ceramic capacitors (0603) TDK C1608X5R1A105K
C34, C44, C57	0	Not installed, ceramic capacitors (0603)
C45–C48	0	Not installed, tantalum capacitors (C)
C50, C56	2	0.01μF ±10%, 50V X7R ceramic capacitors (0603) TDK C1608X7R1H103K
CLK, IN	2	SMA PC board vertical-mount connectors
J1	1	Dual-row, 8-pin header
J2–J5	4	Dual-row, 40-pin headers
JU1, JU2, JU3, JU5	4	3-pin headers
JU4	0	Not installed, 2-pin header
JU6	0	Not installed, 3-pin header
R1, R3, R11, R13, R80	0	Not installed, resistors (0603)
R2, R4–R7, R10, R12, R14, R15, R38, R39, R41, R43–R79	49	49.9Ω ±1% resistors (0402)

Evaluate: MAX1213N/MAX1214N



MAX1213N/MAX1214N Evaluation Kits

Common Component List (continued)

DESIGNATION	QTY	DESCRIPTION
R8, R9	2	24.9Ω ±0.1% resistors (0603) IRC PFC-W0603R-02-24R9-B
R16, R17	2	10Ω ±1% resistors (0603)
R18–R24, R28–R32, R34, R35	14	100Ω ±1% resistors (0603)
R25, R37	2	510Ω ±5% resistors (0603)
R26	1	10kΩ ±1% resistor (0603)
R27	1	5kΩ potentiometer, 19-turn (3/8in)
R33	1	3.16kΩ ±1% resistor (0603)
R36	1	1.82kΩ ±1% resistor (0603)
R40	1	100kΩ potentiometer, 12-turn (1/4in)
R42	1	13kΩ ±1% resistor (0603)
T1, T2	2	1:1, 800MHz RF transformers Mini-Circuits ADT1-1WT
TP1	1	Test point (black)

DESIGNATION	QTY	DESCRIPTION
U1	1	Note: See the <i>EV Kit Specific Component List</i>
U2	1	Differential 4:1 multiplexer (20-pin TSSOP) Maxim MAX9388EUP
U3–U6	4	3.3V, ECL, quad-differential receivers (20-pin SO) On Semiconductor MC100LEVEL17DW
Y1	0	Not installed, clock oscillator (9mm x 14mm) Valpey Fisher VF561E series (recommended)
—	5	Shunts (J1, JU1, JU2, JU3, JU5)
—	1	MAX1213N/MAX1214N PC board

EV Kit Specific Component List

PART	DESIGNATION	DESCRIPTION
MAX1213NEVKIT	U1	MAX1213NEGK+ (68-pin, 10mm x 10mm QFN)
MAX1214NEVKIT		MAX1214NEGK+ (68-pin, 10mm x 10mm QFN)

+Denotes lead-free package.

Component Suppliers

SUPPLIER	PHONE	WEBSITE
AVX	843-946-0238	www.avxcorp.com
IRC	361-992-7900	www.irctt.com
TDK	847-803-6100	www.component.tdk.com

Note: Indicate that you are using the MAX1213N/MAX1214N when contacting these component suppliers.

Quick Start

Recommended Equipment

- DC power supplies:

Analog	(VCC)	1.8V, 1A
Digital	(OVCC)	1.8V, 200mA
Clock	(VCLK)	3.3V, 200mA
Buffers	(VPECL)	3.3V, 400mA
- One signal generator with low-phase noise and low jitter for clock input (e.g., HP/Agilent 8644B); bandpass filtering is strongly recommended (e.g., Allen Avionics, K&L Microwave)
- One signal generator for analog signal input (e.g., HP/Agilent 8644B); bandpass filtering is strongly recommended (e.g., Allen Avionics, K&L Microwave)

- Logic analyzer or data-acquisition system (e.g., HP/Agilent 16500C with high-speed state card HP/Agilent 16517A)
- Digital voltmeter

Procedure

The MAX1213N/MAX1214N EV kits are fully assembled and tested surface-mount boards. Follow the steps below for board operation. **Do not turn on power supplies or enable signal generators until all connections are completed:**

- Verify that shunts are installed in the following locations:
 - JU1 (2-3) → U2 selects CLK
 - JU2 (1-2) → divide-by-two disabled
 - JU3 (2-3) → two's-complement output selected
 - J1 (3-4) → internal reference enabled
 - JU5 (2-3) → clock signal (CLK) duty cycle set to 50%

MAX1213N/MAX1214N Evaluation Kits

- 2) Connect the filtered clock signal generator to the SMA connector labeled CLK.
- 3) Connect the filtered analog input signal generator to the SMA connector labeled IN.
- 4) Connect the logic analyzer with a high-speed probe to either headers J2/J3 (LVDS-compatible signals) or J4/J5 (LVPECL-compatible signals). See Table 4 for header connections.
- 5) Connect a 1.8V, 1A power supply to VCC. Connect the ground terminal of this supply to GND closest to the VCC pad.
- 6) Connect a 1.8V, 200mA power supply to OVCC. Connect the ground terminal of this supply to GND closest to the OVCC pad.
- 7) Connect a 3.3V, 200mA power supply to VCLK. Connect the ground terminal of this supply to GND closest to the VCLK pad.
- 8) Connect a 3.3V, 400mA power supply to VPECL. Connect the ground terminal of this supply to GND closest to the VPECL pad.
- 9) Turn on all power supplies.
- 10) Enable the signal generators. Set the clock signal generator to output a 170MHz (MAX1213N)/210MHz (MAX1214N) signal with an amplitude of 2.4V_{P-P}. Set the analog input signal generator to output the desired frequency with an amplitude $\leq 2V_{P-P}$. For coherent sampling the signal generators should be synchronized.
- 11) Enable the logic analyzer.
- 12) Capture data using the logic analyzer.

Detailed Description

The MAX1213N/MAX1214N EV kits are fully assembled and tested circuit boards that contain all the components necessary to evaluate the performance of the MAX1213N/MAX1214N, 12-bit LVDS output ADCs. The MAX1213N/MAX1214N can be evaluated with a maximum clock frequency (f_{CLK}) of 170MHz (MAX1213N)/210MHz (MAX1214N).

The MAX1213N/MAX1214N converters accept differential inputs. Applications that only have a single-ended signal source available can use the on-board transformers (T1 and T2) to convert the singled-ended signal to a differential signal.

Differential receivers (U3–U6) buffer and convert the LVDS output signals of the MAX1213N/MAX1214N to higher voltage LVPECL signals that can be captured by a wide variety of logic analyzers. The LVDS outputs are

accessed at headers J2 and J3. The LVPECL outputs are accessed at headers J4 and J5.

The EV kits are designed as four-layer PC boards to optimize the PC board layout. Separate analog, digital, clock, and buffer power planes minimize noise coupling between analog and digital signals; 50 Ω microstrip transmission lines are used for analog and clock inputs and 100 Ω differential microstrip transmission lines are used for all digital LVDS outputs. All LVDS differential outputs are terminated with 100 Ω termination resistors between true and complementary digital outputs. The trace lengths of the 100 Ω differential LVDS lines are matched to within a few thousandths of an inch to minimize layout-dependent delays. All LVPECL differential outputs are Y-terminated with 49.9 Ω resistors on each branch.

Power Supplies

The MAX1213N/MAX1214N EV kits require separate analog, digital output, clock, and buffer power supplies for best performance. Two 1.8V power supplies are used to power the analog and digital portions of the MAX1213N/MAX1214N. The on-board clock circuitry is powered by a 3.3V power supply. A separate 3.3V power supply is used to power the output buffers (U3–U6) on the EV kit.

Clock

The MAX1213N/MAX1214N require a differential clock signal. However, only a single-ended clock signal source is required. The EV kit's on-board circuitry converts a singled-ended clock signal to the required differential signal. The frequency of the sinusoidal input clock signal determines the sampling frequency (f_{CLK}) of the ADC. A differential multiplexer (U2) processes the input signal to generate the required clock signal. The input signal should not exceed an amplitude of 2.6V_{P-P}. The frequency of the clock signal should not exceed 170MHz/210MHz.

The output clock signal duty cycle at U2 can be adjusted or fixed only when the single-ended signal is applied at CLK. Configure jumper JU5 to fix the signal's duty cycle to 50% or to adjust the duty cycle with potentiometer R27. See Table 1 for configuring jumper JU5.

Table 1. Clock Duty Cycle (JU5)

SHUNT POSITION	U2 $\overline{D0}$ PIN	FUNCTION
1-2	Connected to potentiometer R27	Clock (CLK) duty cycle is adjustable with R27
2-3 (default)	Connected to VBB2	Clock (CLK) duty cycle is set to 50%

MAX1213N/MAX1214N Evaluation Kits

The MAX1213N/MAX1214N EV kits also provide circuitry so the user can install a crystal oscillator (Y1, Valpey Fisher VF561E series recommended) to generate an on-board differential clock source. The differential line receiver and multiplexer IC (U2) can be configured to select between the SMA CLK signal and the crystal oscillator Y1 output signal by using jumper JU1. See Table 2 for configuring jumper JU1. **Note:** The crystal oscillator's duty cycle cannot be adjusted with jumper JU5.

Table 2. Selecting Clock Source (JU1)

SHUNT POSITION	U2 SEL0 PIN	CLOCK SOURCE SELECTION
1-2	Connected to VCLK	Selects crystal oscillator Y1
2-3 (default)	Connected to GND	Selects SMA CLK input

Clock Divider

The MAX1213N/MAX1214N feature an internal divide-by-two clock divider. Use jumper JU2 to enable/disable this feature. See Table 3 for shunt positions.

Table 3. Clock-Divider Shunt Settings (JU2)

SHUNT POSITION	MAX1213N/MAX1214N CLKDIV PIN	DESCRIPTION
1-2 (default)	Connected to VCC	Clock signal divided by 1
2-3	Connected to GND	Clock signal divided by 2

Input Signal

The MAX1213N/MAX1214N accept differential analog input signals. However, the EV kits only require a 50Ω terminated single-ended analog input signal with an amplitude of less than 2V_{p-p} provided by the user. The on-board transformers T1 and T2 convert the single-ended analog input into a differential analog signal, which is applied to the ADC's differential input pins.

Optional Input Transformer

The MAX1213N/MAX1214N EV kits use two transformer configurations to enhance THD and SFDR performance

at high input frequencies (> 100MHz). These two transformer configurations help to reduce the increase of even-order harmonics at high frequencies. To use only one transformer, follow the directions below:

- 1) Remove transformer T1.
- 2) Install 0Ω resistors (0603 case size) on R11 and R13.

Reference Voltage

There are two methods to set the full-scale range of the MAX1213N/MAX1214N. The MAX1213N/MAX1214N EV kits can be configured to use the ADC's internal reference, or a stable, low-noise, external reference can be applied to the REFIO pad. Jumper J1 controls which reference source is used. See Table 4 for shunt settings.

Table 4. Reference Shunt Settings (J1)

SHUNT POSITION	DESCRIPTION
1-2	Internal reference disabled. Apply an external reference voltage to the REFIO pad.
3-4 (default)	Internal reference enabled.
5-6	Increases FSR through potentiometer R40.
7-8	Decreases FSR through potentiometer R40.

Output Signal

The MAX1213N/MAX1214N feature a single 12-bit, parallel, LVDS-compatible, digital output bus. The digital outputs also feature a clock bit (DCOP/N) for data synchronization, and a data overrange bit (ORP/N). See Table 6 for header connections.

Output Format

The digital output coding can be chosen to be either in two's-complement or straight offset binary format by configuring jumper JU3. See Table 5 for shunt settings.

Table 5. Output-Format Shunt Settings (JU3)

SHUNT POSITION	MAX1213N/MAX1214N T/B PIN	DESCRIPTION
1-2	Connected to VCC	Digital output in straight offset binary
2-3 (default)	Connected to GND	Digital output in two's complement

MAX1213N/MAX1214N Evaluation Kits

Output Bit Locations

The digital outputs of the ADC are connected to two 40-pin headers (J2 and J3). PC board trace lengths are matched to minimize output skew and improve performance of the device. In addition, four differential receivers (U3–U6) buffer and level translate the ADC's digital outputs to LVPECL-compatible signals. The

differential receivers increase the differential voltage swing and are able to drive large capacitive loads, which may be present at the logic analyzer connection. The outputs of the buffers are connected to two 40-pin headers (J4 and J5). See Table 6 for headers J4 and J5 bit locations.

Table 6. Output Bit Locations

BIT		UNBUFFERED (LVDS)	BUFFERED (LVPECL)	BIT		DESCRIPTION
D11	P	J2-10	J4-10	P	LD11	MSB
	N	J2-9	J4-9	N		
D10	P	J2-16	J4-16	P	LD10	Data bits
	N	J2-15	J4-15	N		
D9	P	J2-22	J4-22	P	LD9	
	N	J2-21	J4-21	N		
D8	P	J2-28	J4-28	P	LD8	
	N	J2-27	J4-27	N		
D7	P	J2-34	J4-34	P	LD7	
	N	J2-33	J4-33	N		
D6	P	J2-40	J4-40	P	LD6	
	N	J2-39	J4-39	N		
D5	P	J3-8	J5-8	P	LD5	
	N	J3-7	J5-7	N		
D4	P	J3-14	J5-14	P	LD4	
	N	J3-13	J5-13	N		
D3	P	J3-20	J5-20	P	LD3	
	N	J3-19	J5-19	N		
D2	P	J3-26	J5-26	P	LD2	
	N	J3-25	J5-25	N		
D1	P	J3-32	J5-32	P	LD1	
	N	J3-31	J5-31	N		
D0	P	J3-38	J5-38	P	LD0	LSB
	N	J3-37	J5-37	N		
OR	P	J2-4	J4-4	P	LOR	Overrange bit
	N	J2-3	J4-3	N		
DCLK	P	J3-2	J5-2	P	LDC0	Clock output signal
	N	J3-1	J5-1	N		

Evaluate: MAX1213N/MAX1214N

MAX1213N/MAX1214N Evaluation Kits

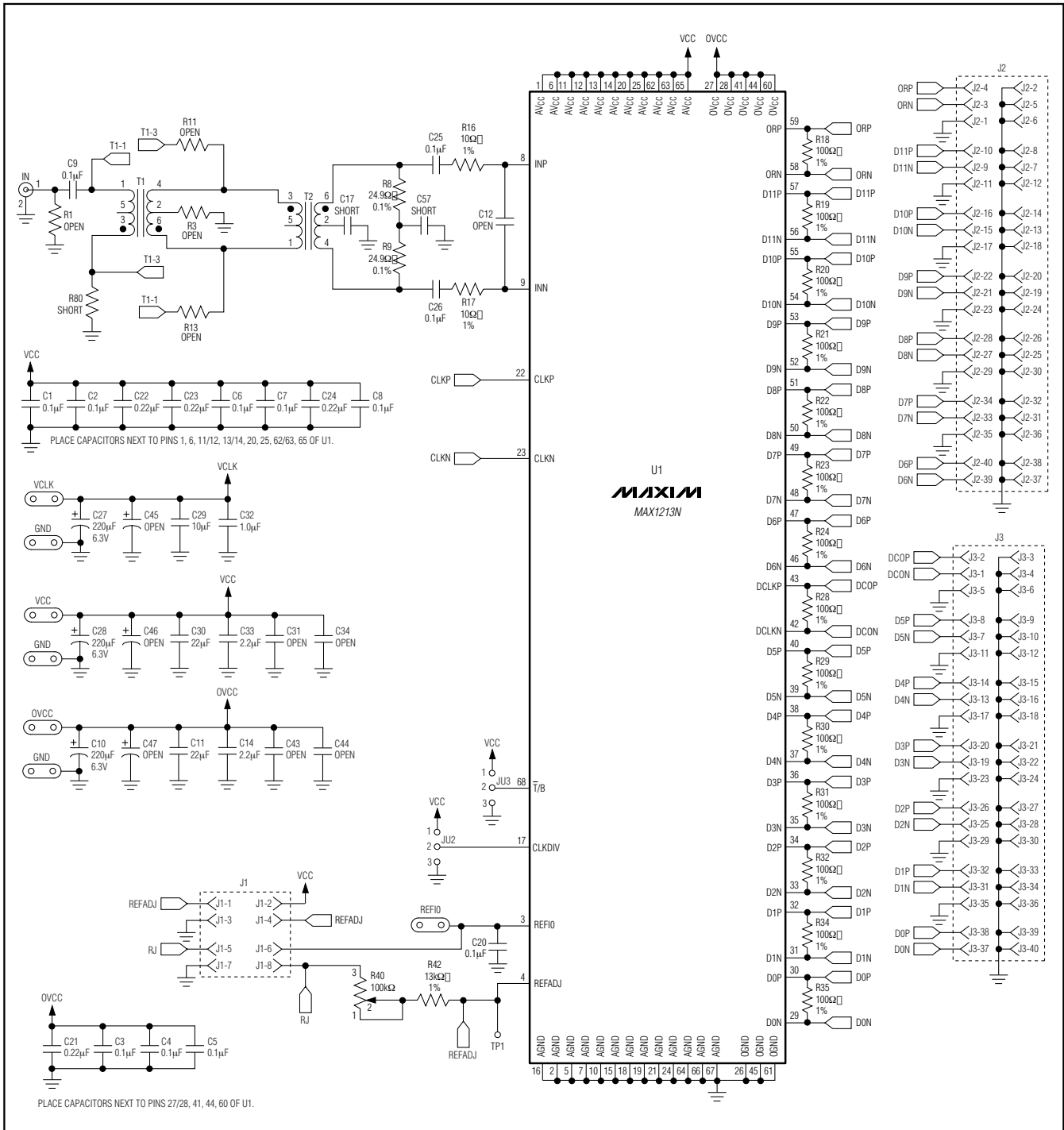


Figure 1a. MAX1213N EV Kit Schematic (Sheet 1 of 3)

MAX1213N/MAX1214N Evaluation Kits

Evaluate: MAX1213N/MAX1214N

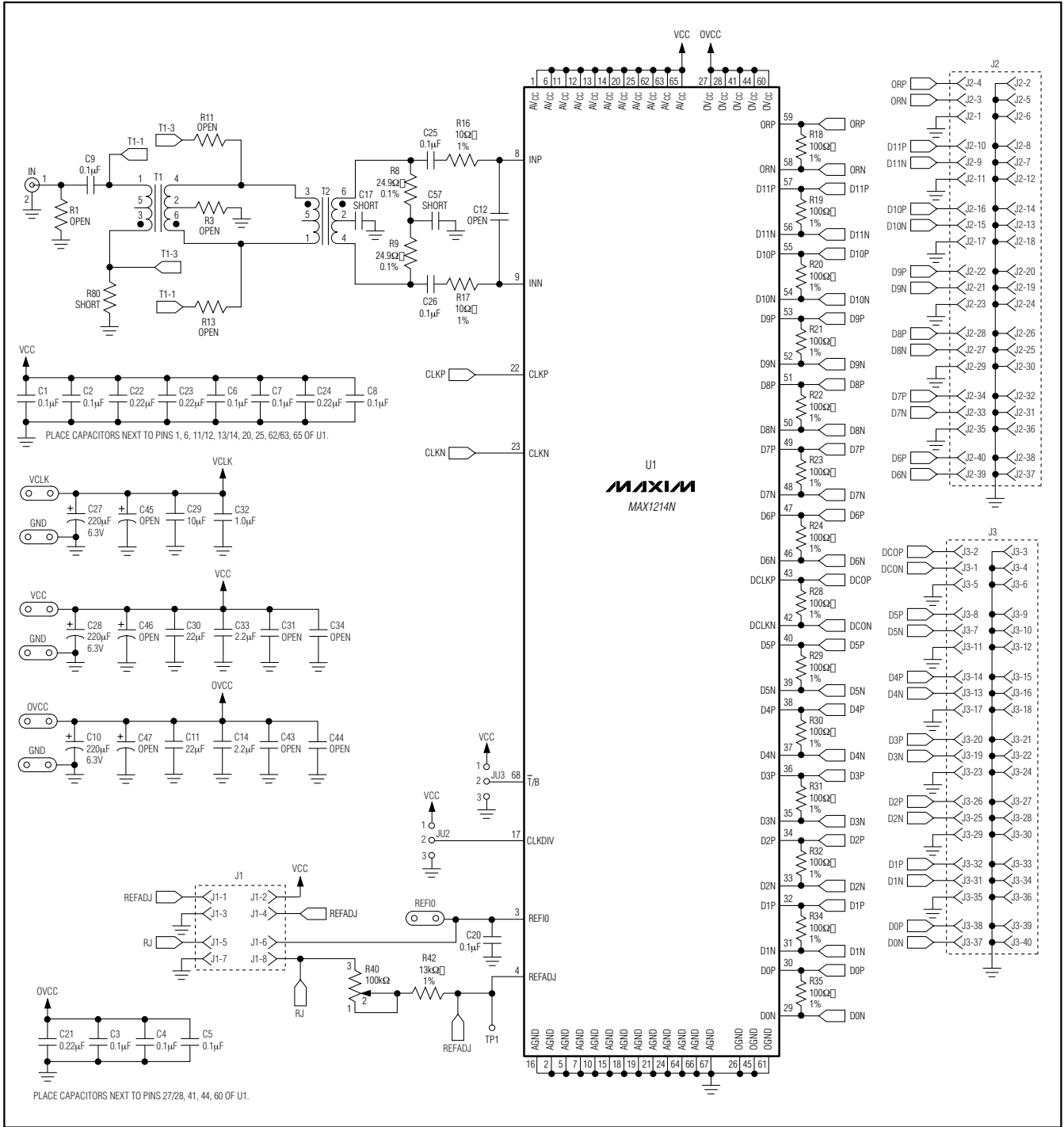


Figure 1b. MAX1214N EV Kit Schematic (Sheet 1 of 3)

MAX1213N/MAX1214N Evaluation Kits

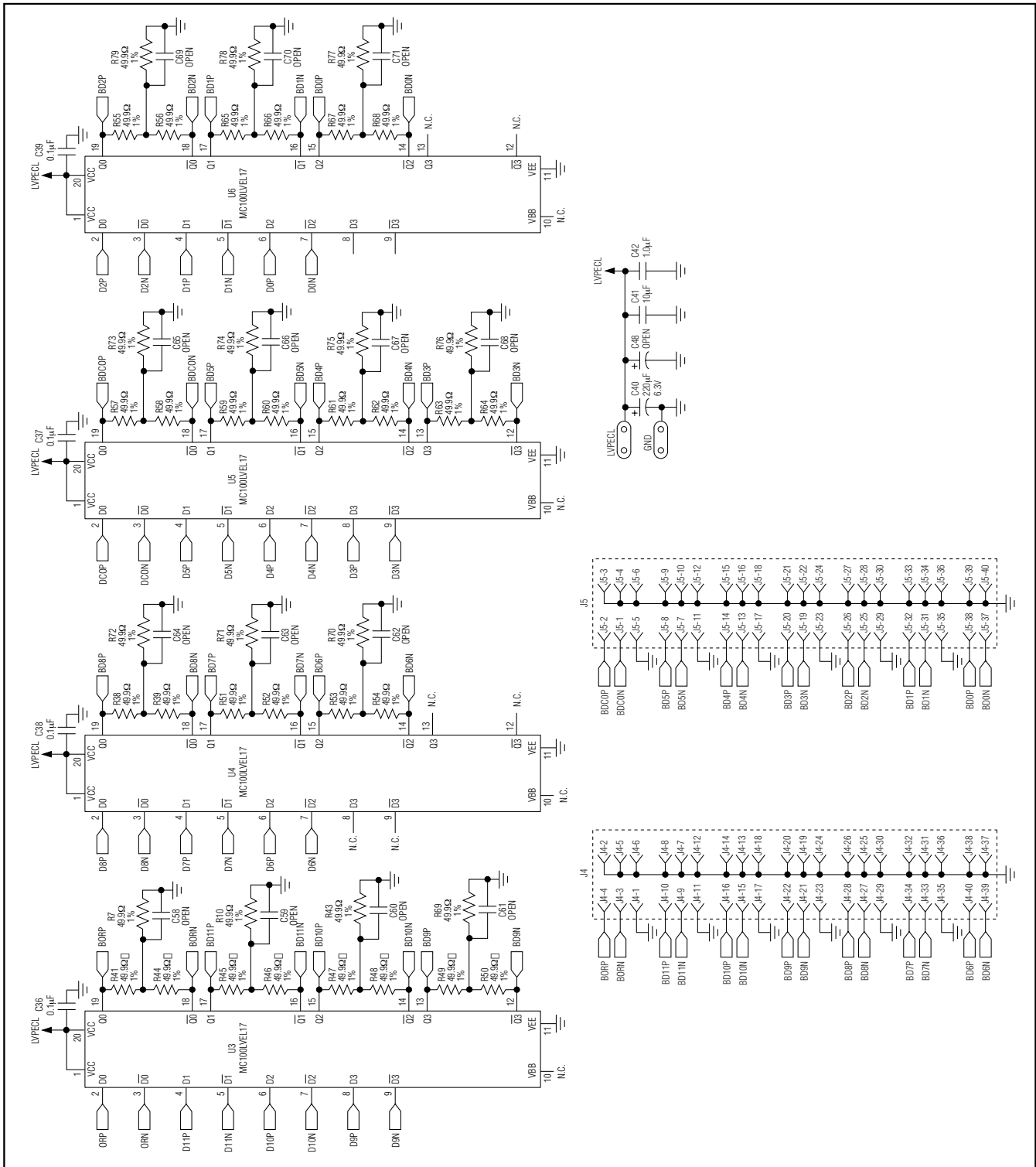


Figure 1c. MAX1213N/MAX1214N EV Kit Schematic (Sheet 2 of 3)

MAX1213N/MAX1214N Evaluation Kits

Evaluate: MAX1213N/MAX1214N

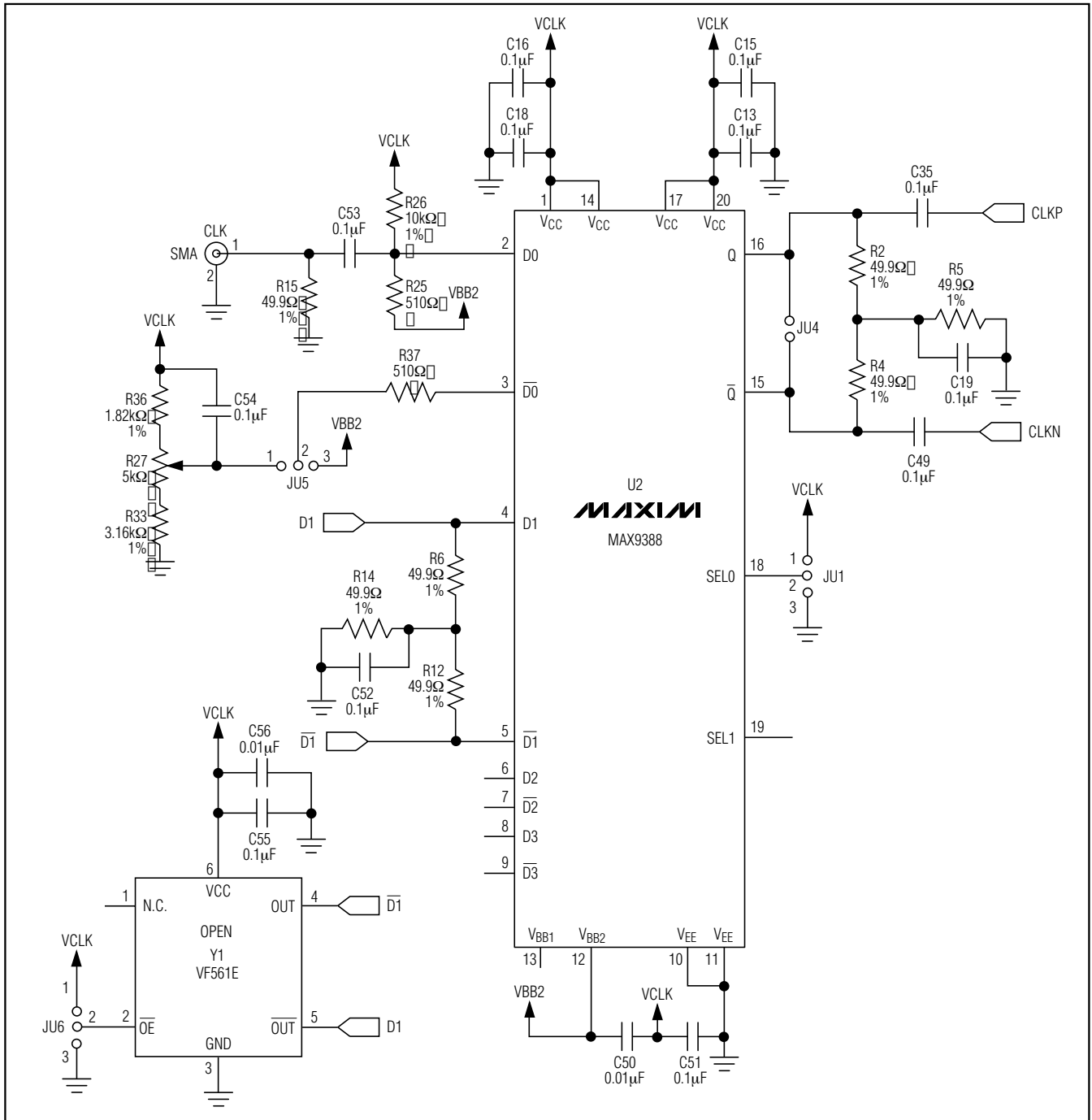


Figure 1d. MAX1213N/MAX1214N EV Kit Schematic (Sheet 3 of 3)

MAX1213N/MAX1214N Evaluation Kits

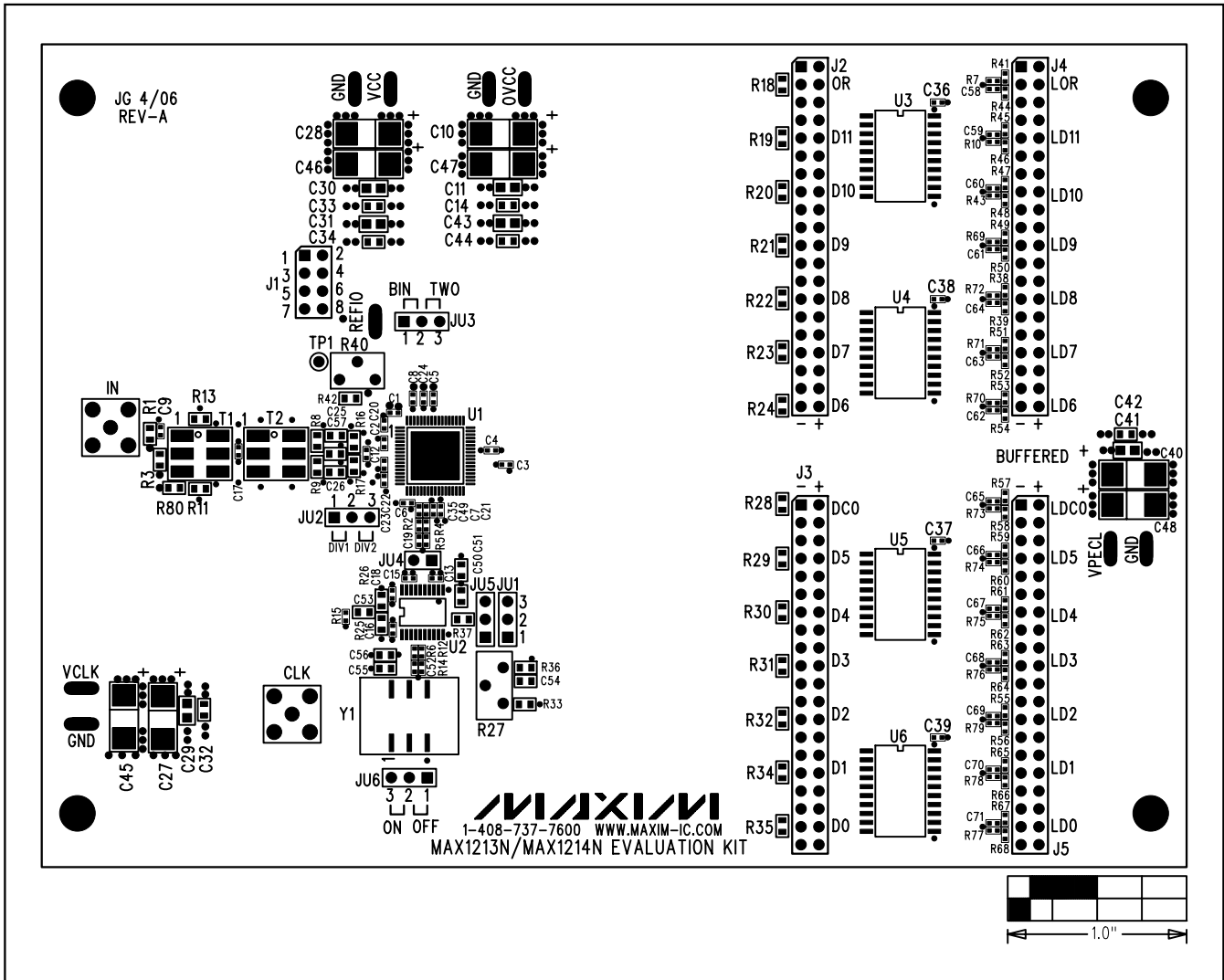


Figure 2. MAX1213N/MAX1214N EV Kit Component Placement Guide—Component Side

MAX1213N/MAX1214N Evaluation Kits

Evaluate: MAX1213N/MAX1214N

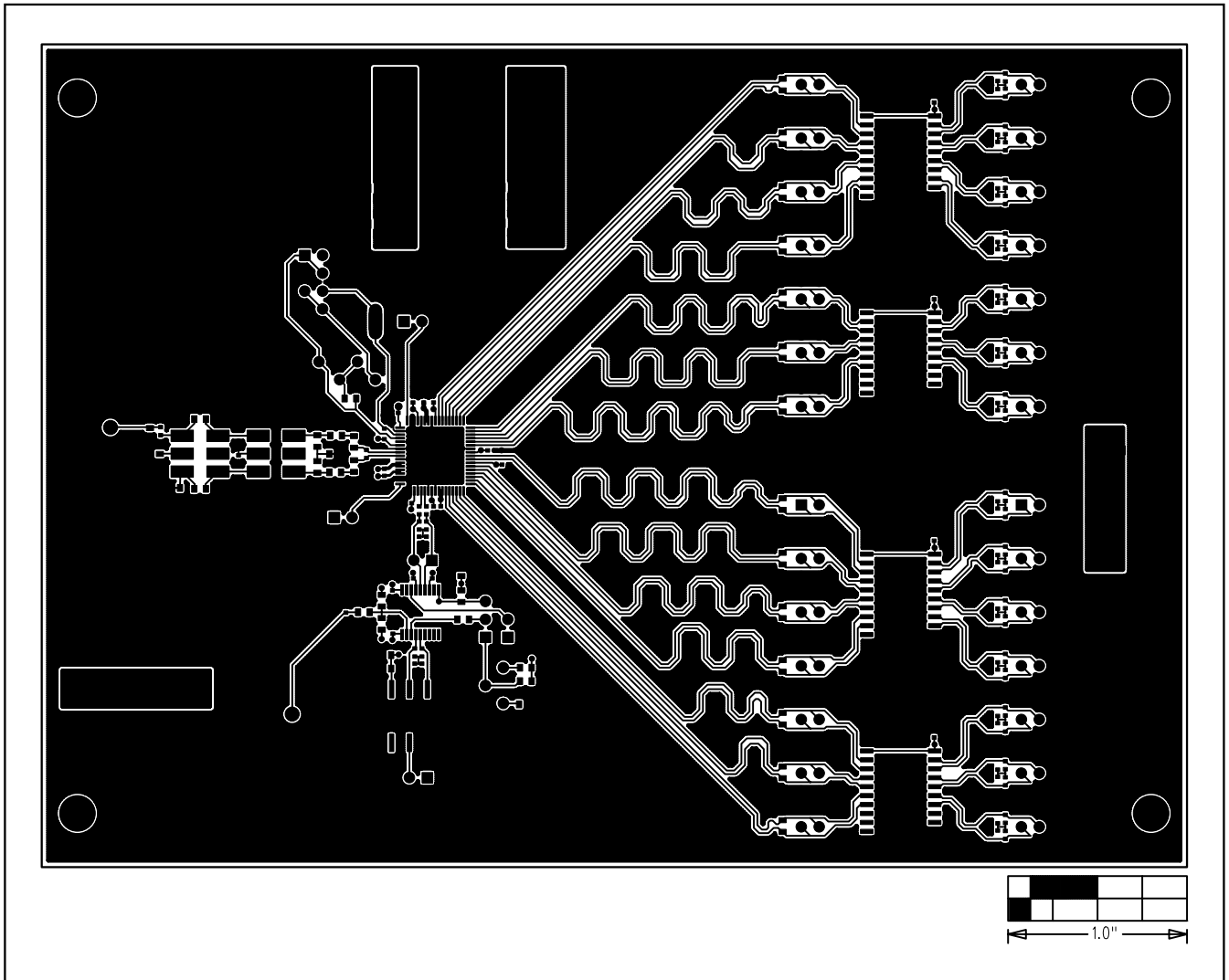


Figure 3. MAX1213N/MAX1214N EV Kit PC Board Layout—Component Side

MAX1213N/MAX1214N Evaluation Kits

Evaluate: MAX1213N/MAX1214N

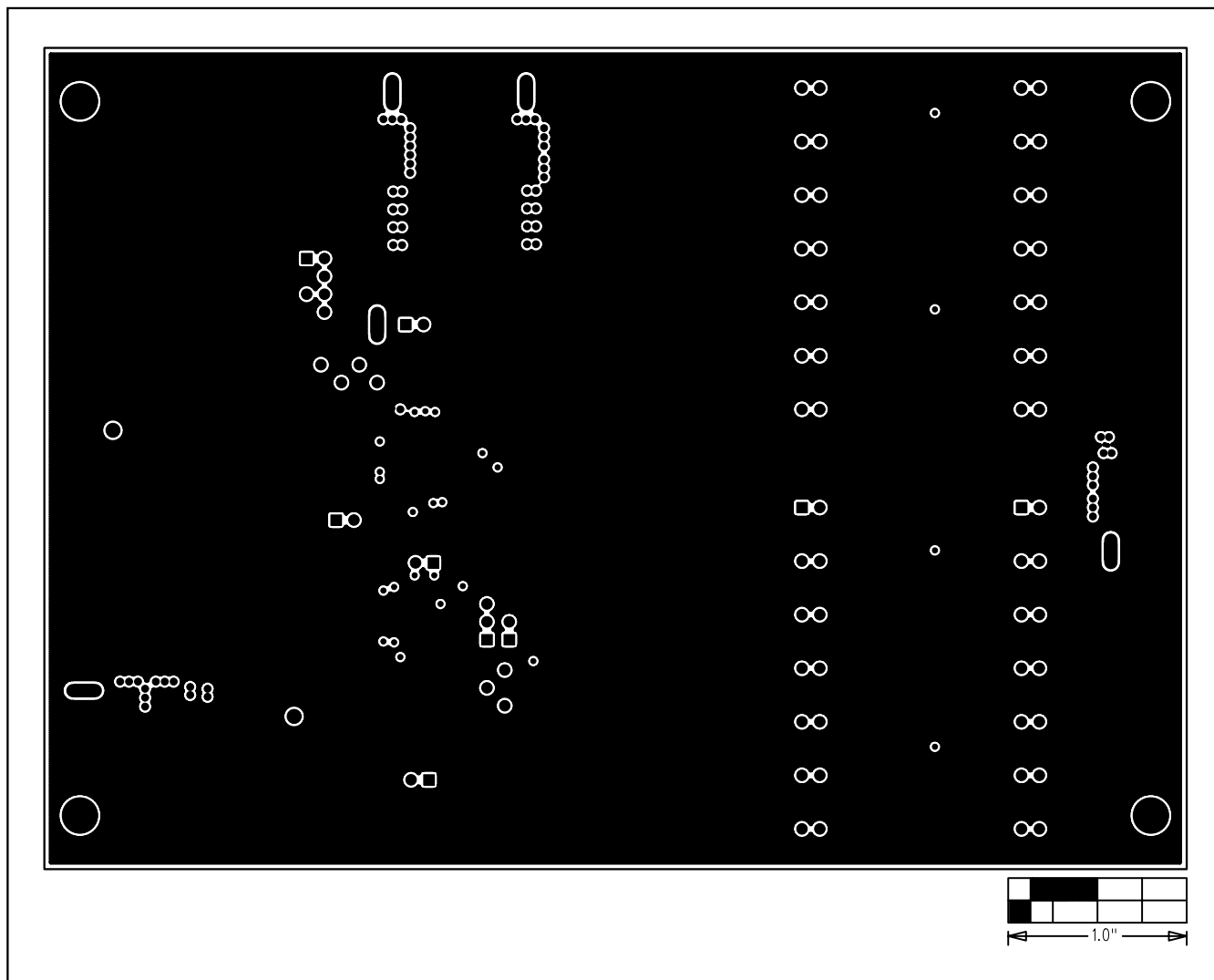


Figure 4. MAX1213N/MAX1214N EV Kit PC Board Layout—Ground Plane (Layer 2)

MAX1213N/MAX1214N Evaluation Kits

Evaluate: MAX1213N/MAX1214N

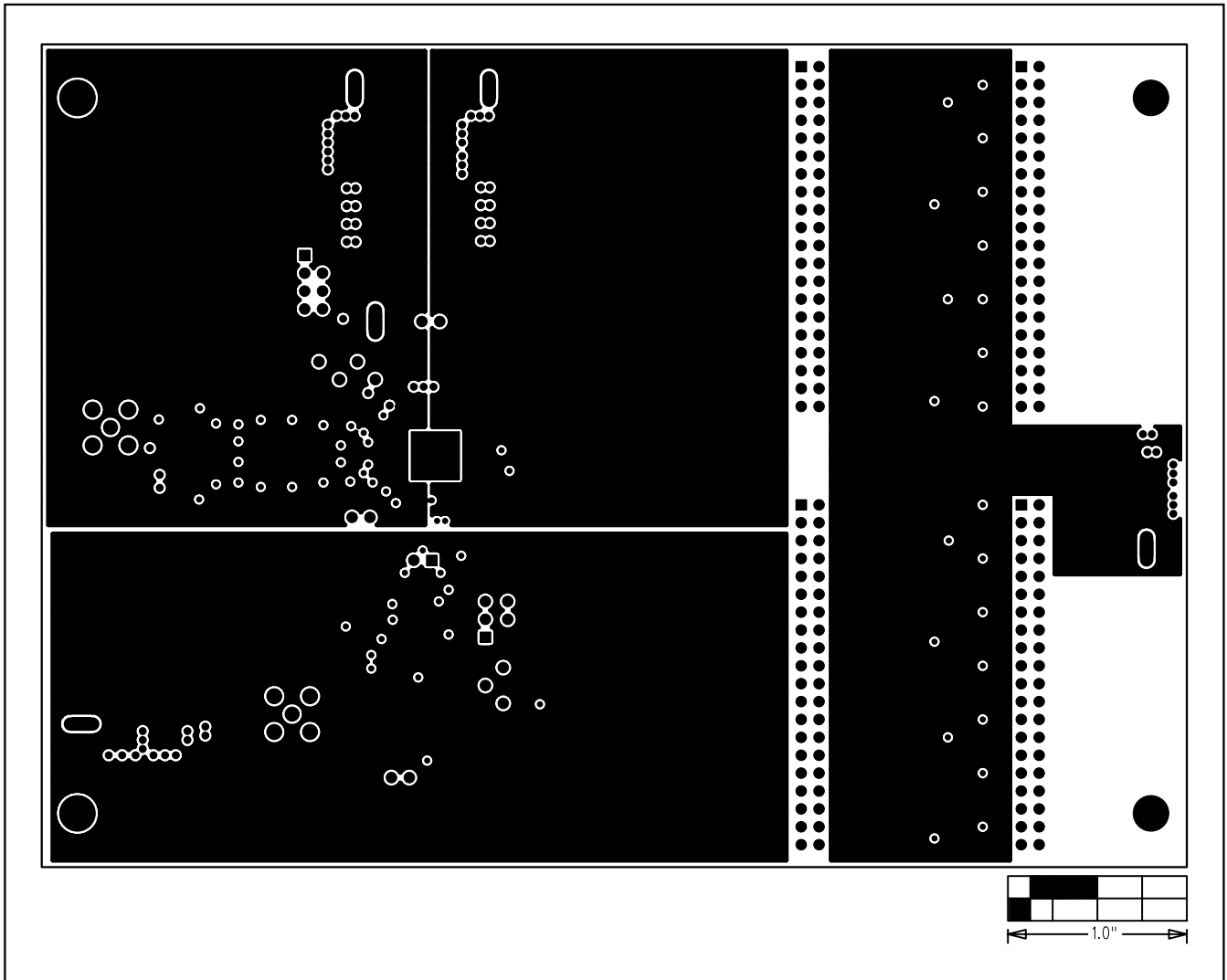


Figure 5. MAX1213N/MAX1214N EV Kit PC Board Layout—Power Plane (Layer 3)

MAX1213N/MAX1214N Evaluation Kits

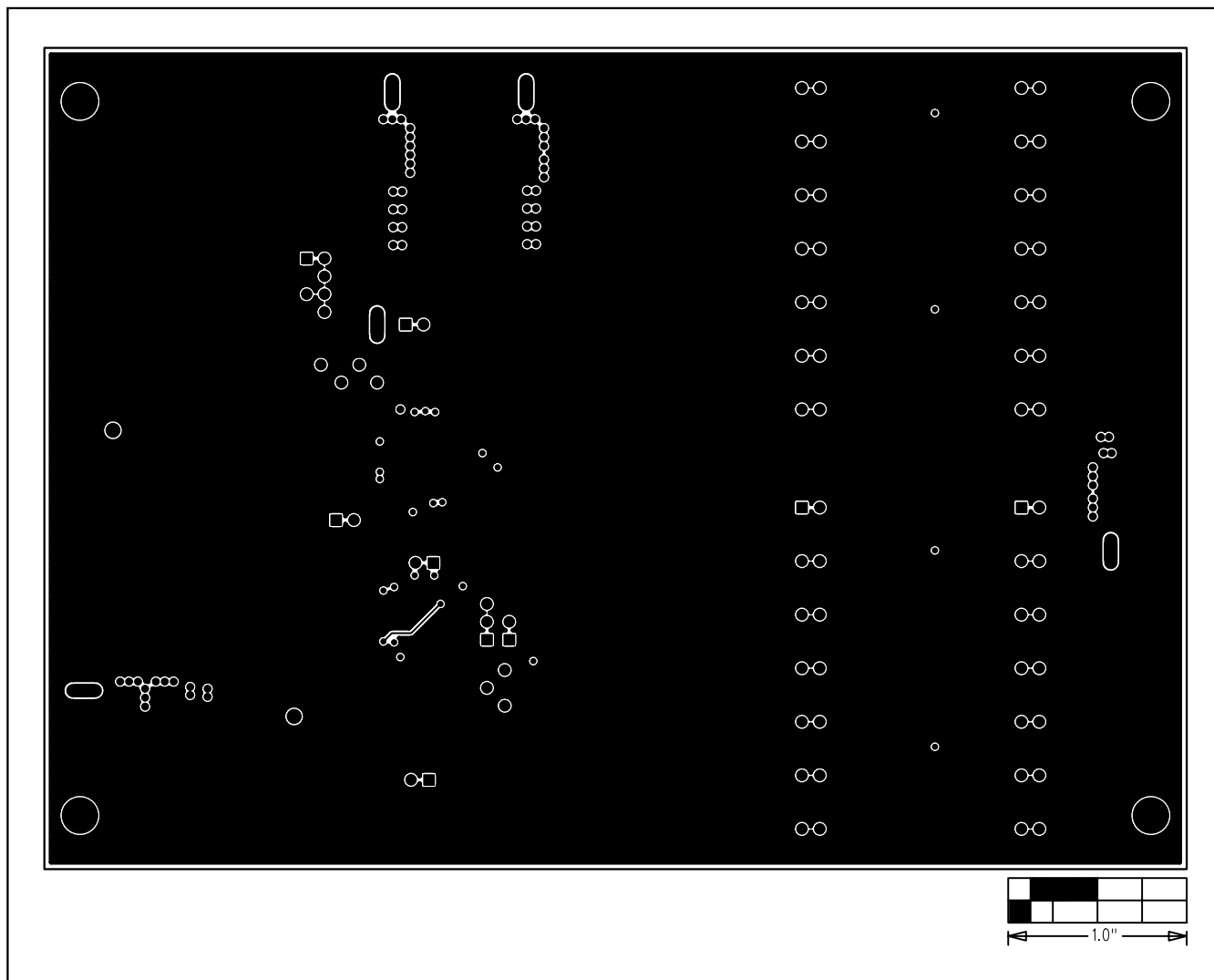


Figure 6. MAX1213N/MAX1214N EV Kit PC Board Layout—Solder Side

Maxim cannot assume responsibility for use of any circuitry other than circuitry entirely embodied in a Maxim product. No circuit patent licenses are implied. Maxim reserves the right to change the circuitry and specifications without notice at any time.

14 _____ **Maxim Integrated Products, 120 San Gabriel Drive, Sunnyvale, CA 94086 408-737-7600**