

COMPONENT LIST (continued)

DESIGNATION	QTY	DESCRIPTION
R6	1	10 : , ±5% resistor (0805)
U1	1	DS80C400-FNY# networked microcontroller
U2, U3	2	R1LV0408CSB-7LC 512kB RAM
U4	1	AM29LV081B-70EC 1MB flash
U5, U6	2	MAX6365PKA31 reset controllers

DESIGNATION	QTY	DESCRIPTION
U7	1	MAX1792EUA18 voltage regulator
U8	1	DS1672U-33 real-time clock
U9	1	DS2502-E48 IEEE MAC address
Y1	1	14.7456MHz crystal
Y2	1	32kHz crystal

QUICK START

It is highly recommended that the developer use the DSTINIs400 sockets board in conjunction with the DSTINIm400#. The DSTINIs400 was specifically designed to hold the DSTINIm400# and provide the physical interconnects (Ethernet PHY), as well as the 1-Wire, I²C, SPI™, CAN, and four serial port connectors.

If the developer wishes to implement his or her own design using the DSTINIm400#, a 144-pin SODIMM connector such as the Hirose SX6E-144S-0.8SH is required.

The DSTINIm400# must be seated correctly into the DSTINIs400 to ensure a proper connection. Insert the TINIm400 into the connector at a 30-degree angle. Place index fingers behind the SODIMM connector and place thumbs on the top edge of the DSTINIm400#, pressing firmly until it clicks into place or seats with only a millimeter of gold contact exposed. Press the DSTINIm400# down parallel to the DSTINIs400 until the side arms latch into the center of the semicircular cutouts on the DSTINIm400#.

Note that the flash used on the DSTINIm400# limits applications to a maximum of 2x clock multiplier mode with the included 14.7456MHz crystal. Use of the 4x clock multiplier mode results in unstable operations.

FOR MORE INFORMATION

TINI platform details can be found at www.maxim-ic.com/TINI. The TINI Specification and Developer's Guide (Addison-Wesley, 2001) is an invaluable resource when developing with the TINI platform. Download a free copy from our website at www.maxim-ic.com/TINIGuide.

DS80C400 INFORMATION

For more information about the DS80C400 network microcontroller, refer to the DS80C400 data sheet available on our website at www.maxim-ic.com/DS80C400.

ADDITIONAL RESOURCES

For detailed information about the initial setup and use of the TINI platform, refer to Application Note 612: Getting Started with the TINIm400 (DS80C400) Verification Module at www.maxim-ic.com/AN612.

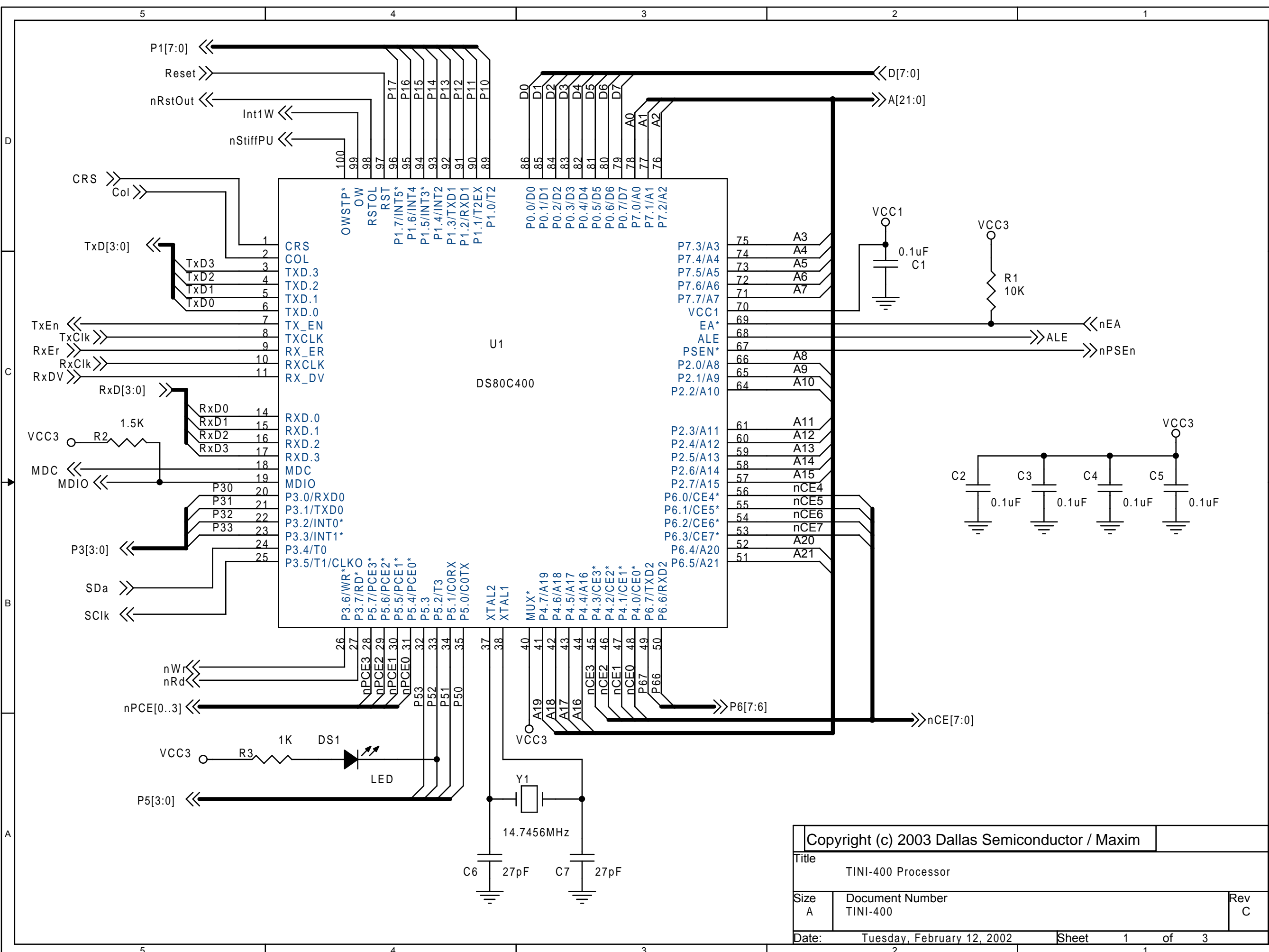
DS80C400 Networked Microcontroller Data Sheet: www.maxim-ic.com/DS80C400

DS80C400 Evaluation Kit (DS80C400-KIT): www.maxim-ic.com/DS80C400-KIT

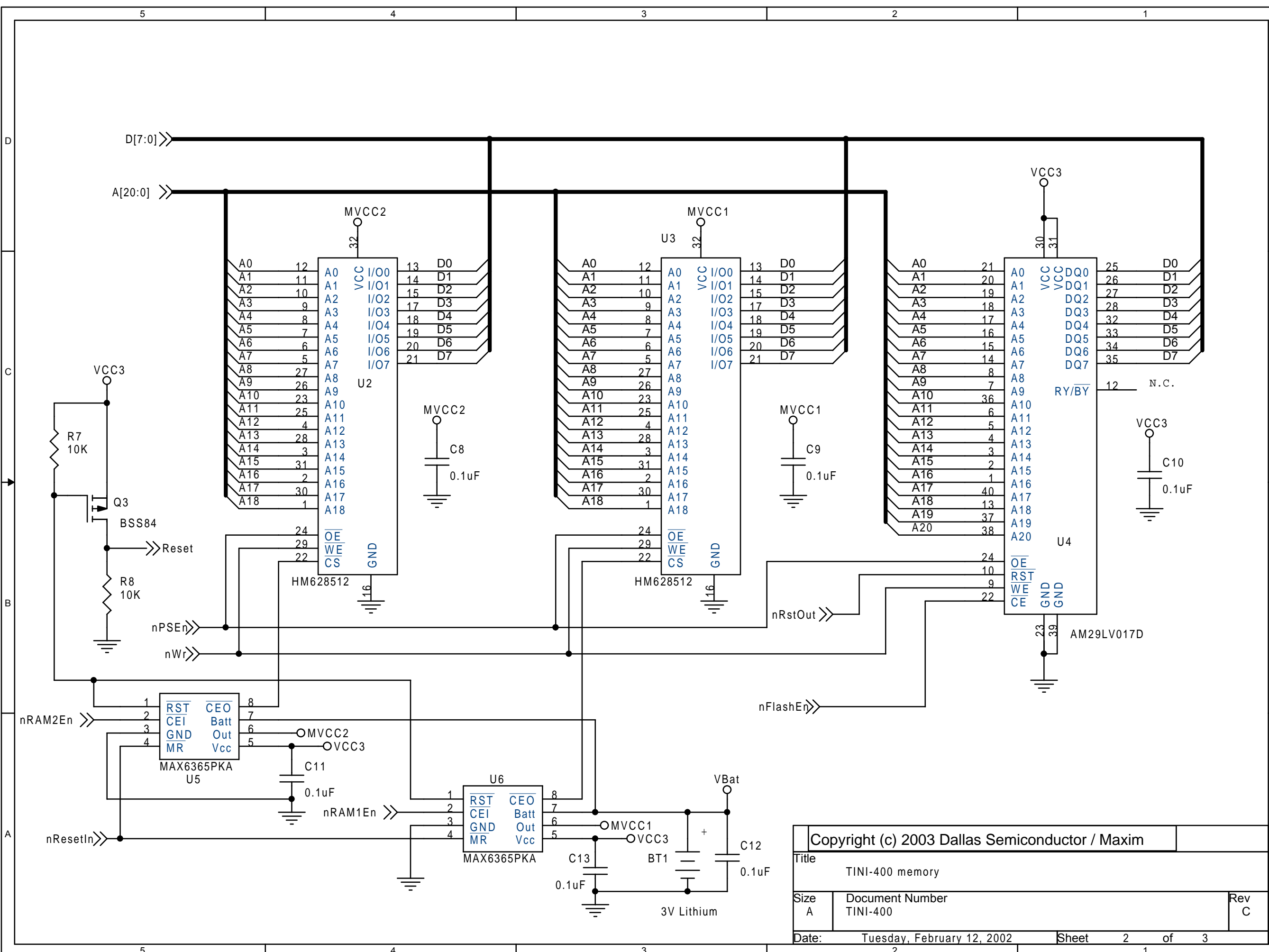
DSTINIs400/DSTINIs-00x Sockets Evaluation Board: www.maxim-ic.com/DSTINIs400

Microcontroller Website: www.maxim-ic.com/microcontrollers

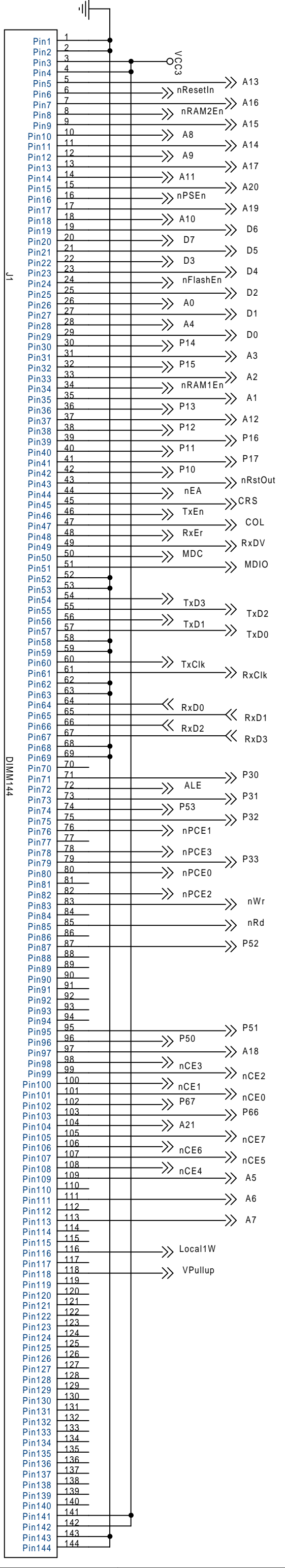
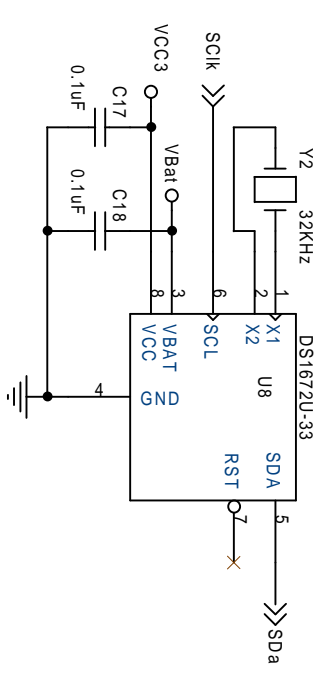
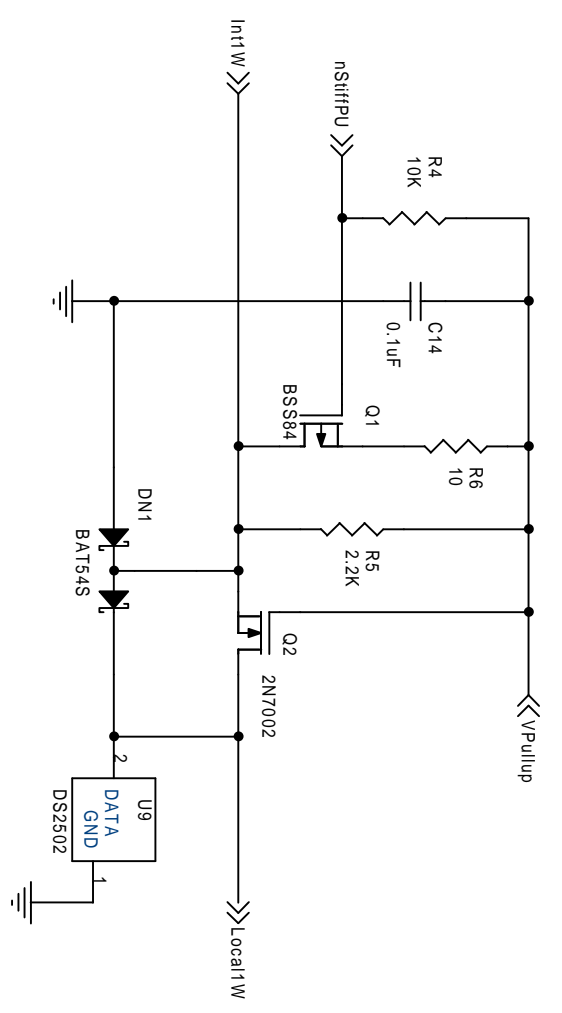
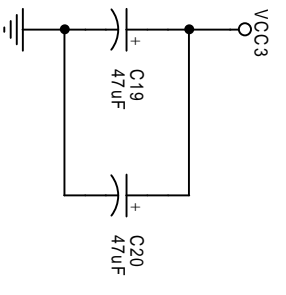
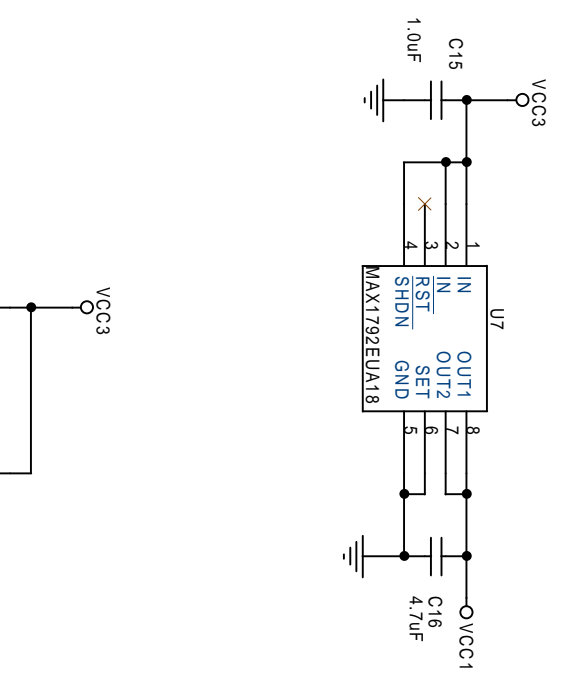
SPI is a trademark of Motorola Inc.



Copyright (c) 2003 Dallas Semiconductor / Maxim		
Title TINI-400 Processor		
Size A	Document Number TINI-400	Rev C
Date: Tuesday, February 12, 2002	Sheet 1	of 3



Copyright (c) 2003 Dallas Semiconductor / Maxim		
Title TINI-400 memory		
Size A	Document Number TINI-400	Rev C
Date: Tuesday, February 12, 2002	Sheet 2	of 3



Copyright (c) 2003 Dallas Semiconductor / Maxim
 Title: TINI-400 Connector
 Size: Document Number
 B: TINI-400
 Date: Tuesday, February 12, 2002
 Sheet 3 of 3